

MOTOR PARAMETERS	ENGLISH UNITS	METRIC UNITS
CONTINUOUS TORQUE	19.91 in lb	2.25 N m
CONTINUOUS CURRENT	4.10 A <sub>RMS</sub> / 5.80 A <sub>PK-PK</sub>	
PEAK TORQUE	59.74 in lb	6.75 N m
PEAK CURRENT	12.30 A <sub>RMS</sub> / 17.40 A <sub>PK-PK</sub>	
RATED SPEED	3000 RPM / 315 rad/s	
MAX. OPERATING SPEED	5000 RPM / 525 rad/s	
RATED POWER	0.80 HP / 600 W	
BACK EMF CONSTANT (K <sub>c</sub> )	40.73 V/kRPM	
TORQUE CONSTANT (K <sub>t</sub> )	4.87 in lb / A <sub>PK</sub>	0.39 N m / A <sub>PK</sub>
PHASE INDUCTANCE @25°C	6.000 mH	
PHASE RESISTANCE @25°C	0.820 ohms	
INERTIA (WITHOUT BRAKE)	3.18x10 <sup>-1</sup> lb in <sup>2</sup>	9.30x10 <sup>-1</sup> kg cm <sup>2</sup>
INERTIA (WITH BRAKE)	3.59x10 <sup>-1</sup> lb in <sup>2</sup>	1.05 kg cm <sup>2</sup>
NUMBER OF POLES	8	

POWER CONNECTOR RECEPTACLE: 172167-1 PIN: 170360-1	
PIN	SIGNAL
1	U
2	V
3	W
4	G

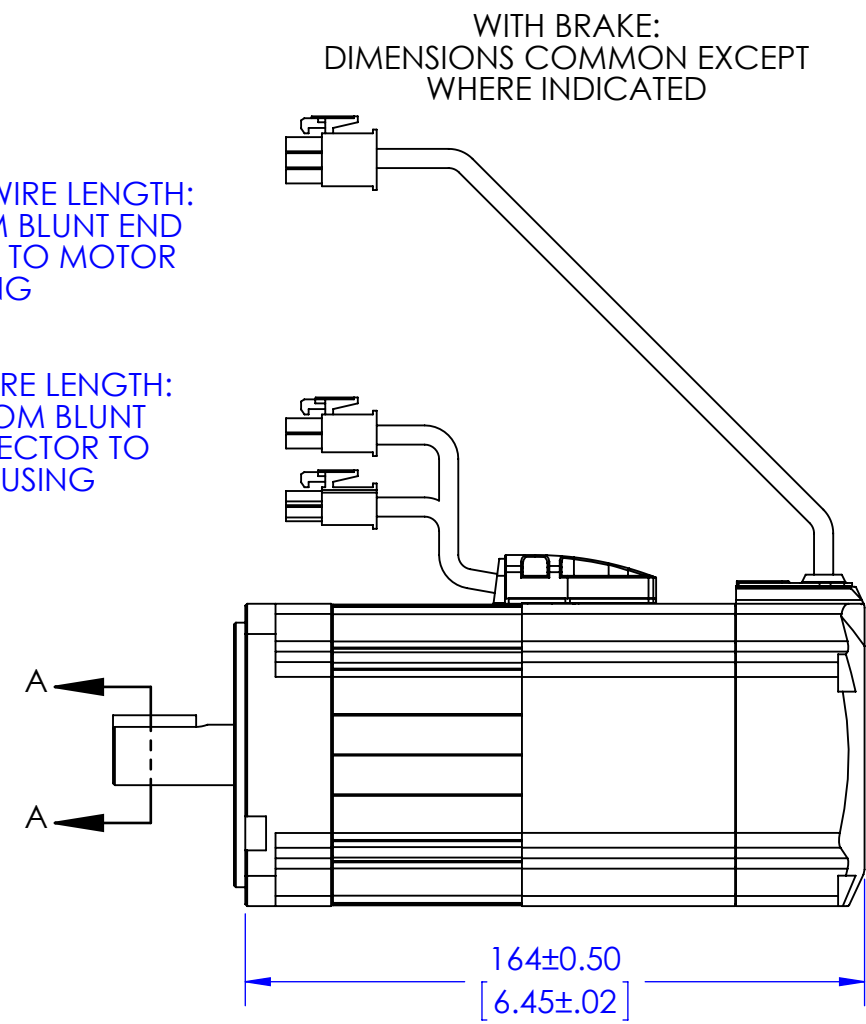
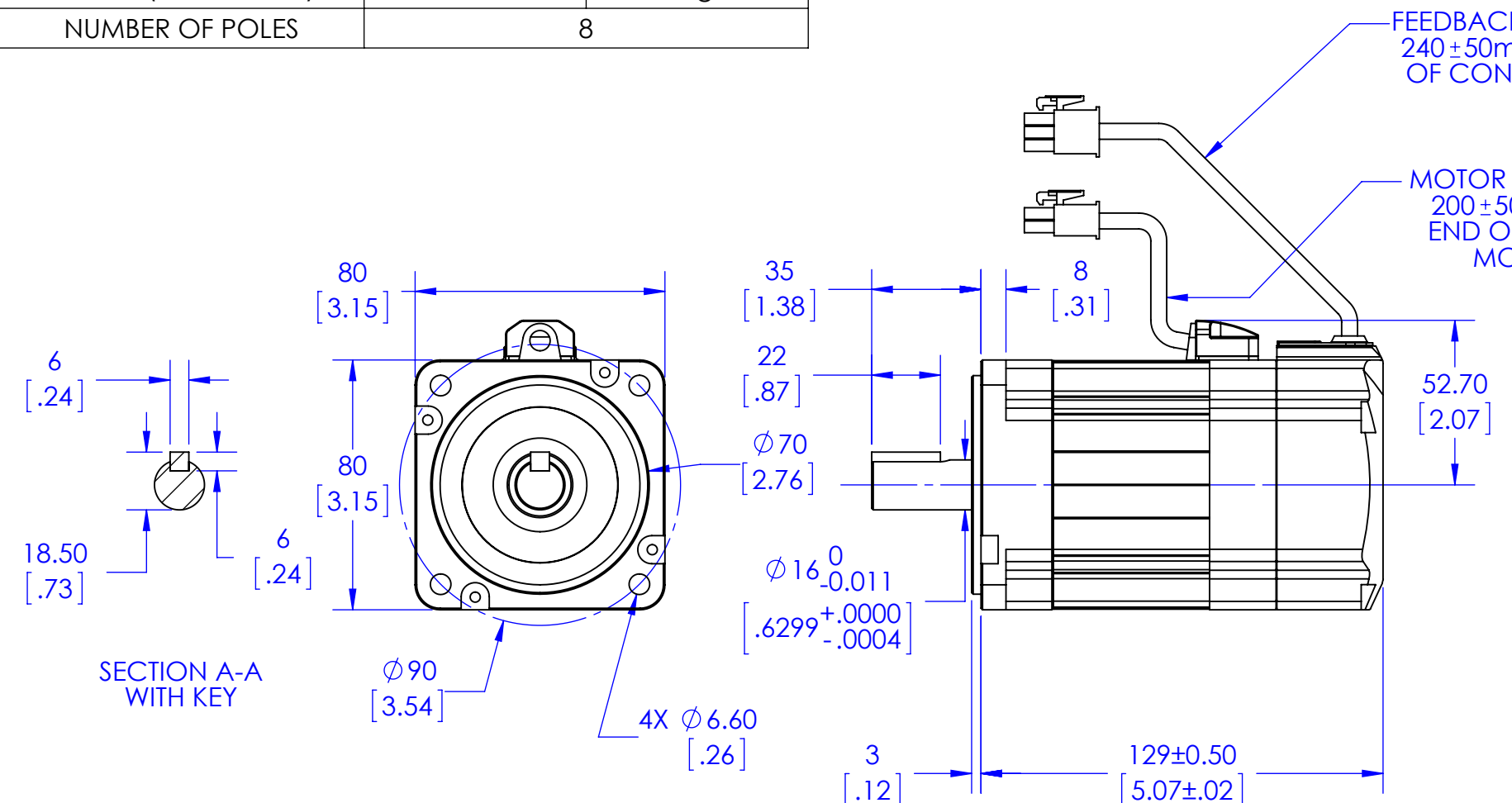
MATING CONNECTOR CAP: 172159-1 SOCKET: 170362-1 OR : 170366-1	
--	--

BRAKE CONNECTOR PLUG: 172165-1 PIN: 170360-1	
PIN	SIGNAL
1	BRAKE
2	BRAKE

MATING CONNECTOR CAP: 172157-1 SOCKET: 170362-1 OR: 170366-1	
---	--

BRAKE INFORMATION		MOTOR FLANGE SIZE
ITEM	UNIT	80 mm
STATIC FRICTION TORQUE	N m	3.25
ROTOR INERTIA	kg cm <sup>2</sup>	0.075
ARMATURE SUCTION TIME	ms	60
ARMATURE RELEASE TIME	ms	15
RELEASE VOLTAGE	DC, V	2 (AT 20°C)
EXCITATION VOLTAGE	DC, V	24 ± 2.4
EXCITATION CURRENT	DC, A	0.43



**QUICKMOTION**

23011 MOULTON PARKWAY, SUITE J3  
LAGUNA HILLS, CA 92653

TITLE: **QS80-B06-xB2**  
**QS80-B06-xN2**

SIZE **B** DWG. NO. **080-0600-02** REV **A**

SCALE: NONE SHEET 1 OF 1