

MOTOR PARAMETERS	ENGLISH UNITS	METRIC UNITS
CONTINUOUS TORQUE	28.32 in lb	3.2 N m
CONTINUOUS CURRENT	9.40 A _{RMS} / 13.29 A _{PK-PK}	
PEAK TORQUE	84.97 in lb	9.60 N m
PEAK CURRENT	28.21 A _{RMS} / 39.90 A _{PK-PK}	
RATED SPEED	3000 RPM / 315 rad/s	
MAX. OPERATING SPEED	3500 RPM / 368 rad/s	
RATED POWER	1.07 HP / 800 W	
BACK EMF CONSTANT (K _c)	25.17 V/kRPM	
TORQUE CONSTANT (K _t)	3.01 in lb / A _{PK}	0.24 N m / A _{PK}
PHASE INDUCTANCE @25°C	1.780 mH	
PHASE RESISTANCE @25°C	0.240 ohms	
INERTIA (WITHOUT BRAKE)	5.02x10 ⁻¹ lb in ²	1.47 kg cm ²
INERTIA (WITH BRAKE)	5.09x10 ⁻¹ lb in ²	1.49 kg cm ²
NUMBER OF POLES	8	

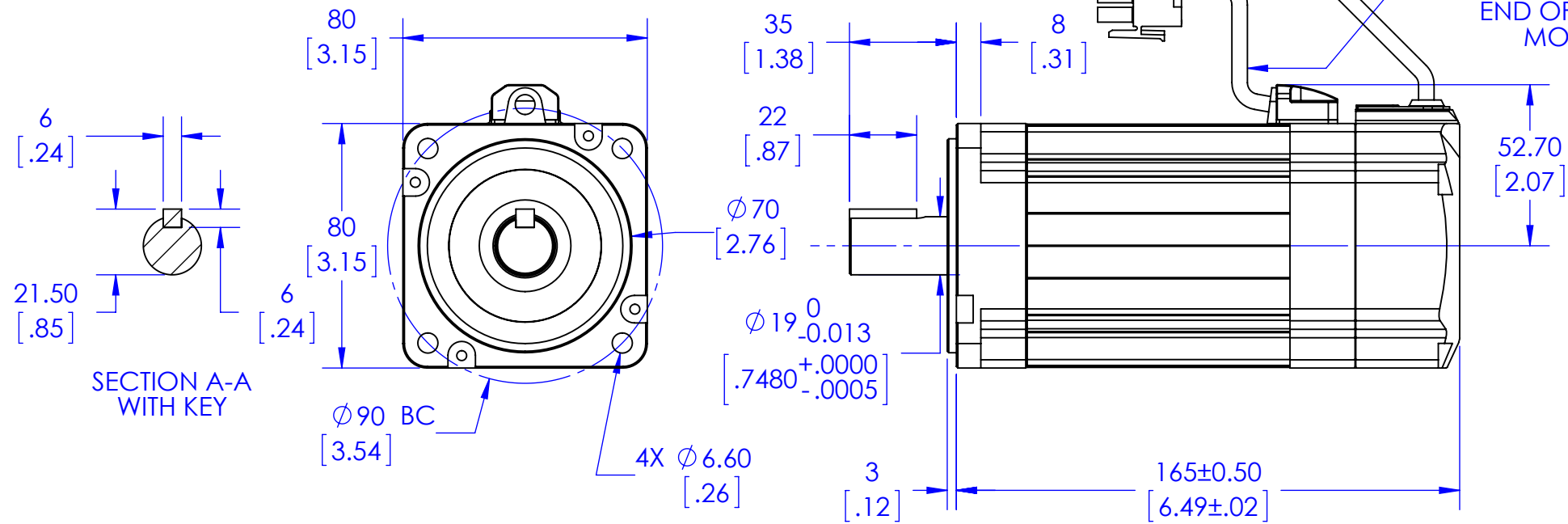
POWER CONNECTOR RECEPTACLE: 480702 PIN: 350536-1	
PIN	SIGNAL
1	G
2	W
3	V
4	U

MATING CONNECTOR CAP: 480703 SOCKET:350218-1	
--	--

BRAKE CONNECTOR PLUG: 172165-1 PIN: 170360-1	
PIN	SIGNAL
1	BRAKE
2	BRAKE

MATING CONNECTOR CAP: 172157-1 SOCKET: 170362-1 OR: 170366-1	
---	--

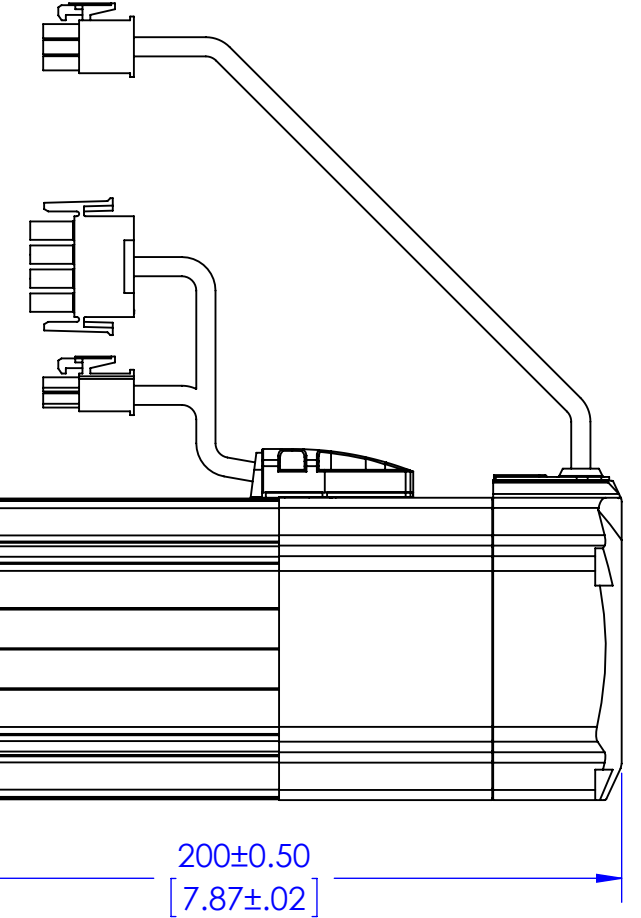
BRAKE INFORMATION		MOTOR FLANGE SIZE
ITEM	UNIT	80 mm
STATIC FRICTION TORQUE	N m	3.25
ROTOR INERTIA	kg cm ²	0.075
ARMATURE SUCTION TIME	ms	60
ARMATURE RELEASE TIME	ms	15
RELEASE VOLTAGE	DC, V	2 (AT 20°C)
EXCITATION VOLTAGE	DC, V	24 ± 2.4
EXCITATION CURRENT	DC, A	0.43



FEEDBACK LEAD WIRE LENGTH:
240 ± 50mm FROM BLUNT END
OF CONNECTOR TO MOTOR
HOUSING

MOTOR LEAD WIRE LENGTH:
200 ± 50mm FROM BLUNT
END OF CONNECTOR TO
MOTOR HOUSING

WITH BRAKE:
DIMENSIONS COMMON EXCEPT
WHERE INDICATED



23011 MOULTON PARKWAY, SUITE J3
LAGUNA HILLS, CA 92653

TITLE: QS80-A10-xB2
QS80-A10-xN2

SIZE B DWG. NO. 080-1000-01 REV A

SCALE: NONE SHEET 1 OF 1