

MOTOR PARAMETERS	ENGLISH UNITS	METRIC UNITS
CONTINUOUS TORQUE	23.01 in lb	2.6 N m
CONTINUOUS CURRENT	8.12 A <sub>RMS</sub> / 11.48 A <sub>PK-PK</sub>	
PEAK TORQUE	69.04 in lb	7.80 N m
PEAK CURRENT	24.36 A <sub>RMS</sub> / 34.45 A <sub>PK-PK</sub>	
RATED SPEED	3000 RPM / 315 rad/s	
MAX. OPERATING SPEED	4000 RPM / 420 rad/s	
RATED POWER	1.07 HP / 800 W	
BACK EMF CONSTANT (K <sub>c</sub> )	23.70 V/kRPM	
TORQUE CONSTANT (K <sub>t</sub> )	2.83 in lb / A <sub>PK</sub>	0.23 N m / A <sub>PK</sub>
PHASE INDUCTANCE @25°C	1.500 mH	
PHASE RESISTANCE @25°C	0.220 ohms	
INERTIA (WITHOUT BRAKE)	4.10x10 <sup>-1</sup> lb in <sup>2</sup>	1.20 kg cm <sup>2</sup>
INERTIA (WITH BRAKE)	4.51x10 <sup>-1</sup> lb in <sup>2</sup>	1.32 kg cm <sup>2</sup>
NUMBER OF POLES	8	

POWER CONNECTOR RECEPTACLE: 480702 PIN: 350536-1	
PIN	SIGNAL
1	G
2	W
3	V
4	U

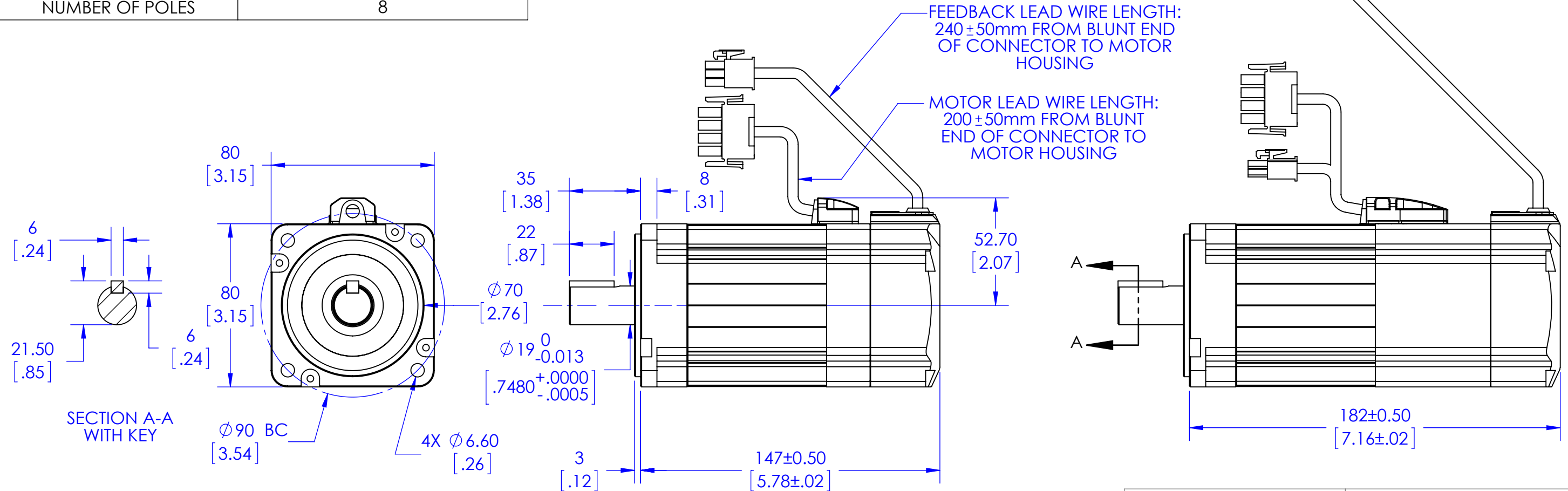
MATING CONNECTOR CAP: 480703 SOCKET:350218-1	
--	--

BRAKE CONNECTOR PLUG: 172165-1 PIN: 170360-1	
PIN	SIGNAL
1	BRAKE
2	BRAKE

MATING CONNECTOR CAP: 172157-1 SOCKET: 170362-1 OR: 170366-1	
---	--

BRAKE INFORMATION		MOTOR FLANGE SIZE
ITEM	UNIT	80 mm
STATIC FRICTION TORQUE	N m	3.25
ROTOR INERTIA	kg cm <sup>2</sup>	0.075
ARMATURE SUCTION TIME	ms	60
ARMATURE RELEASE TIME	ms	15
RELEASE VOLTAGE	DC, V	2 (AT 20°C)
EXCITATION VOLTAGE	DC, V	24 ± 2.4
EXCITATION CURRENT	DC, A	0.43



**QUICKMOTION**

23011 MOULTON PARKWAY, SUITE J3  
LAGUNA HILLS, CA 92653

TITLE: **QS80-A08-xB2**  
**QS80-A08-xN2**

SIZE **B** DWG. NO. **080-0800-01** REV **A**

SCALE: NONE SHEET 1 OF 1