

MOTOR PARAMETERS	ENGLISH UNITS	METRIC UNITS
CONTINUOUS TORQUE	11.86 in lb	1.34 N m
CONTINUOUS CURRENT	9.1 A _{RMS} / 12.8 A _{PK-PK}	
PEAK TORQUE	33.6 in lb	3.8 N m
PEAK CURRENT	27.29 A / 38.6 A _{PK-PK}	
RATED SPEED	3000 RPM / 315 rad/s	
MAX. OPERATING SPEED	4000 RPM / 418 rad/s	
RATED POWER	0.54 HP / 400 W	
BACK EMF CONSTANT (K _v)	10.42 V/kRPM	
TORQUE CONSTANT (K _t)	1.23 in lb / A _{PK}	0.14 N m / A _{PK}
PHASE INDUCTANCE @25 °C	.74 mH	
PHASE RESISTANCE @25 °C	.26 ohms	
INERTIA (WITHOUT BRAKE)	1.13 x10 ⁻¹ lb in ²	3.30 x10 ⁻¹ kg cm ²
INERTIA (WITH BRAKE)	1.20 x10 ⁻¹ lb in ²	3.50 x10 ⁻¹ kg cm ²
NUMBER OF POLES	8	

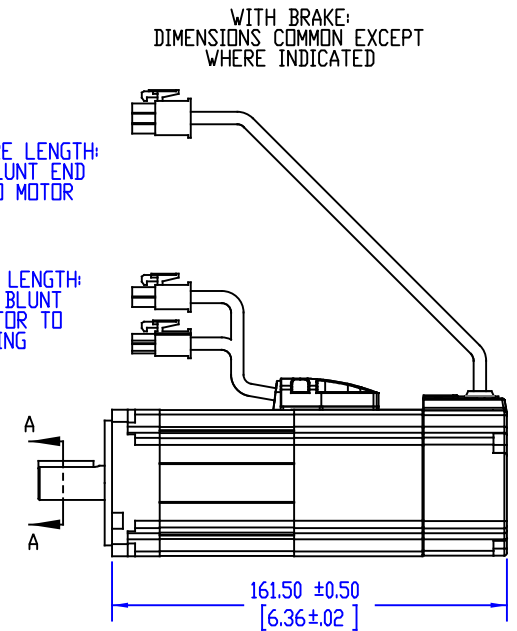
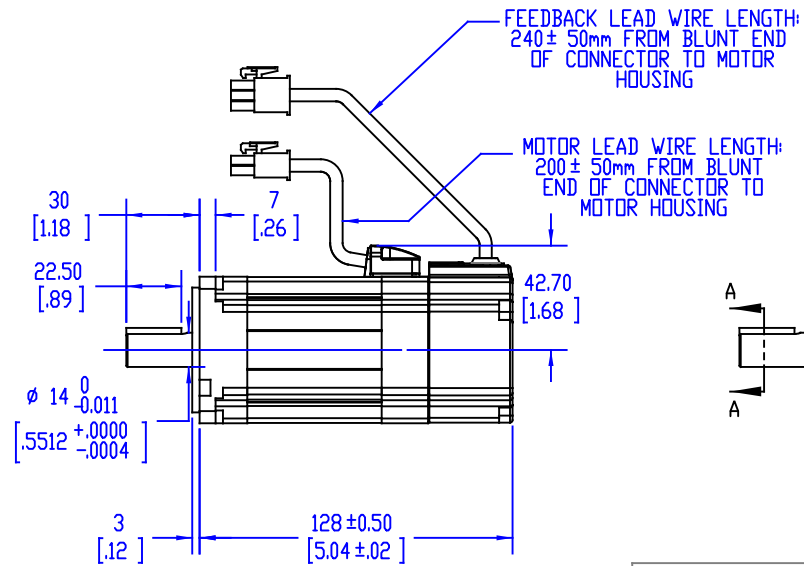
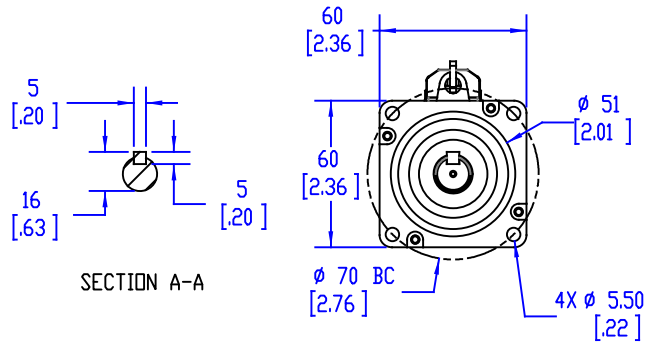
POWER CONNECTOR RECEPTACLE: 480702 PIN: 350536-1	
PIN	SIGNAL
1	U
2	V
3	W
4	G

MATING CONNECTOR CAP: 480703 SOCKET: 350218-1	
---	--

BRAKE CONNECTOR PLUG: 172165-1 PIN: 170360-1	
PIN	SIGNAL
1	BRAKE
2	BRAKE

MATING CONNECTOR CAP: 172157-1 SOCKET: 170362-1 DR: 170366-1	
---	--

BRAKE INFORMATION		MOTOR FLANGE SIZE
ITEM	UNIT	60 mm
STATIC FRICTION TORQUE	N m	1.69
ROTOR INERTIA	10 ⁻¹ kg cm ²	0.20
ARMATURE SUCTION TIME	ms	50
ARMATURE RELEASE TIME	ms	15
RELEASE VOLTAGE	DC, V	2 (AT 20°C)
EXCITATION VOLTAGE	DC, V	24 ± 2.4
EXCITATION CURRENT	DC, A	0.36



1930 WATSON WAY, SUITE F
VISTA, CA 92081

TITLE: QS60-D04-xB1
QS60-D04-xN1

SIZE	DWG. NO.	REV
B	060-0400-03	A
SCALE: NONE	SHEET 1 OF 1	