

MOTOR PARAMETERS	ENGLISH UNITS	METRIC UNITS
CONTINUOUS TORQUE	11.86 in lb	1.34 N m
CONTINUOUS CURRENT	2.47 A _{rms} / 3.49 A _{pk-pk}	
PEAK TORQUE	35.40 in lb	4.00 N m
PEAK CURRENT	7.42 A _{rms} / 10.50 A _{pk-pk}	
RATED SPEED	3000 RPM / 315 rad/s	
MAX. OPERATING SPEED	5000 RPM / 525 rad/s	
RATED POWER	0.54 HP / 400 W	
BACK EMF CONSTANT (K _e)	40.00 V/kRPM	
TORQUE CONSTANT (K _t)	4.78 in lb / A _r	0.38 N m / A _r
PHASE INDUCTANCE @25 °C	10.200 mH	
PHASE RESISTANCE @25°C	2.760 ohms	
INERTIA (WITHOUT BRAKE)	1.13 x10 ⁻¹ lb in ²	3.30x10 ⁻¹ kg cm ²
INERTIA (WITH BRAKE)	1.20 x10 ⁻¹ lb in ²	3.50x10 ⁻¹ kg cm ²
NUMBER OF POLES	8	

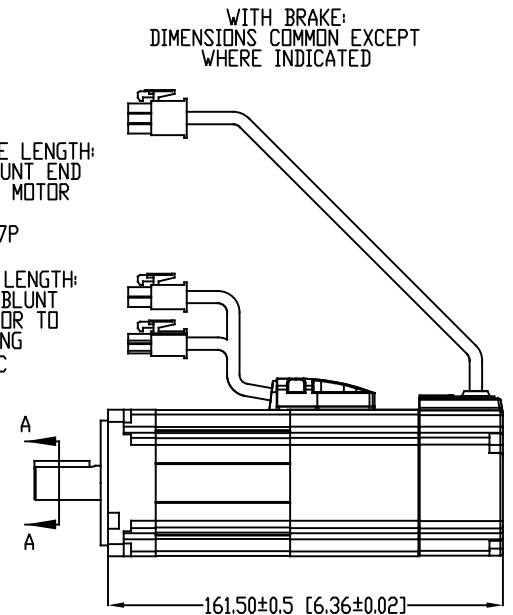
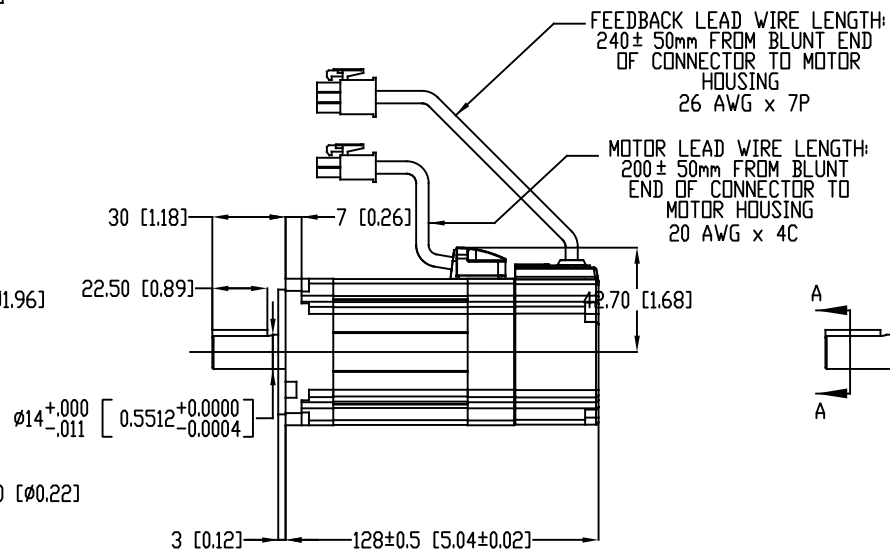
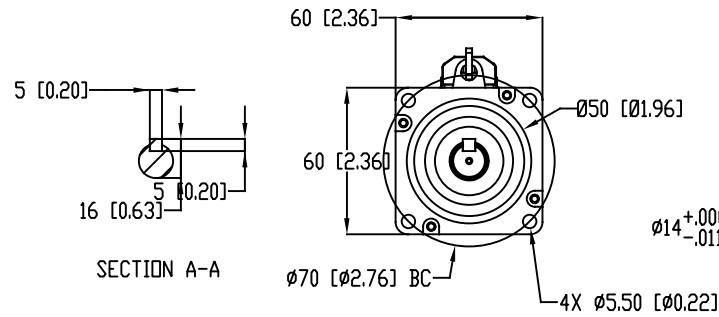
POWER CONNECTOR RECEPTACLE: 172167-1 PIN: 170360-1	
PIN	SIGNAL
1	U
2	V
3	W
4	G

MATING CONNECTOR CAP: 172159-1 SOCKET: 170362-1 OR: 170366-1	
---	--

BRAKE CONNECTOR PLUG: 172165-1 PIN: 170360-1	
PIN	SIGNAL
1	BRAKE
2	BRAKE

MATING CONNECTOR CAP: 172157-1 SOCKET: 170362-1 OR: 170366-1	
---	--

BRAKE INFORMATION		MOTOR FLANGE SIZE
ITEM	UNIT	60 mm
STATIC FRICTION TORQUE	N m	1.69
ROTOR INERTIA	10 ⁻¹ kg cm ²	0.20
ARMATURE SUCTION TIME	ms	50
ARMATURE RELEASE TIME	ms	15
RELEASE VOLTAGE	DC, V	2 (AT 20°C)
EXCITATION VOLTAGE	DC, V	24 ± 2.4
EXCITATION CURRENT	DC, A	0.36



23011 MOULTON PARKWAY, SUITE J3 LAGUNA HILLS, CA 92653	TITLE: QS60-B04-xB2 QS60-B04-xN2	
	SIZE DWG. NO. B 060-0400-02	REV B
	SCALE: NONE	SHEET 1 OF 1