

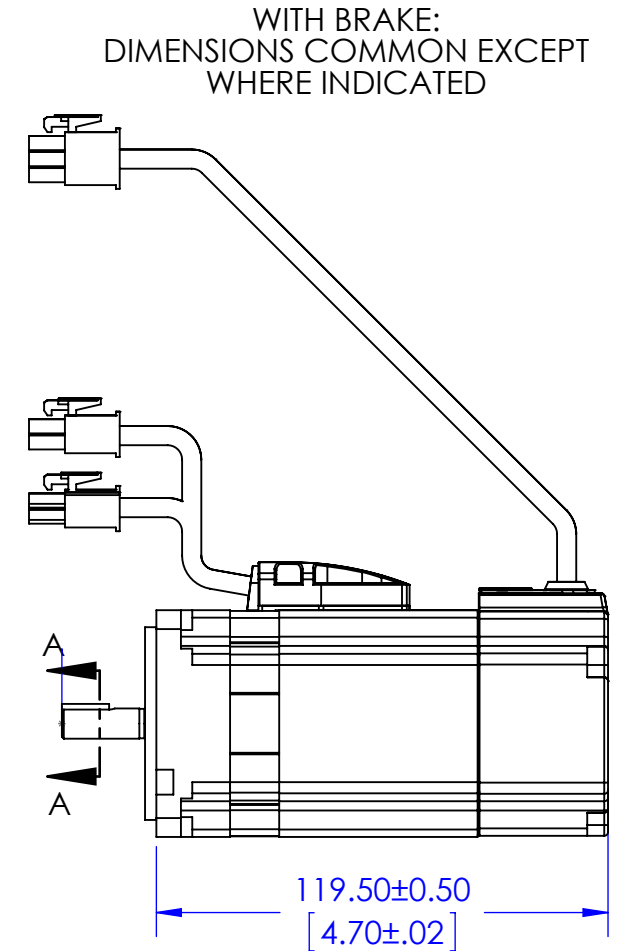
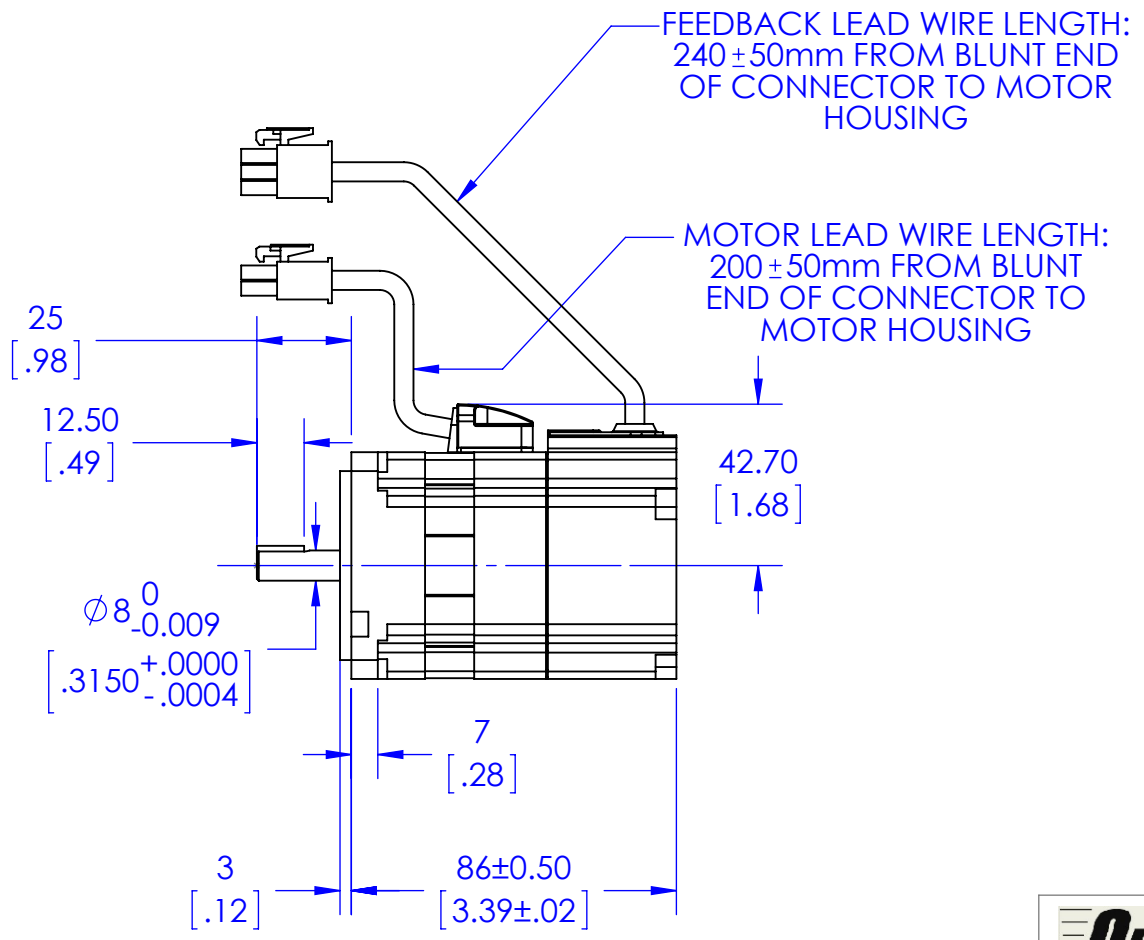
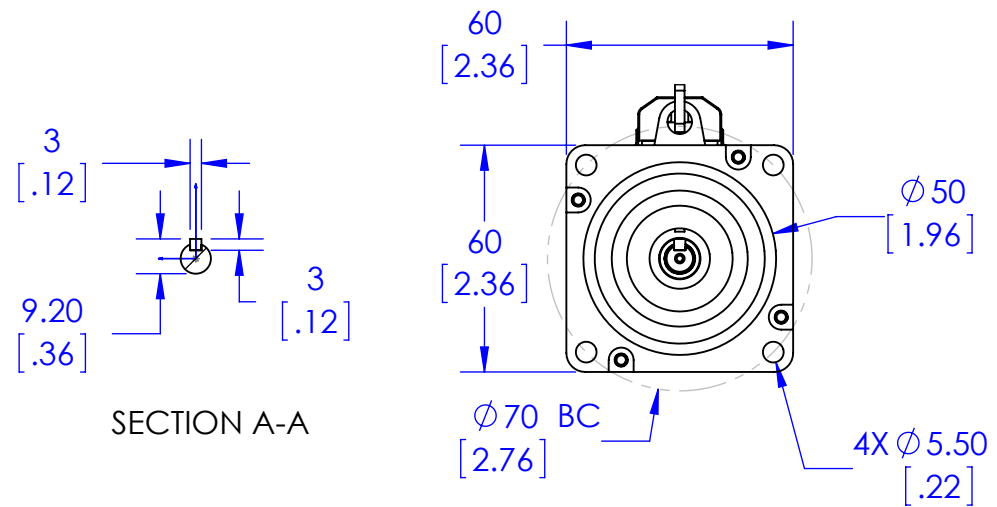
MOTOR PARAMETERS	ENGLISH UNITS	METRIC UNITS
CONTINUOUS TORQUE	2.92 in lb	0.33 N m
CONTINUOUS CURRENT	1.01 A <sub>RMS</sub> / 1.43 A <sub>PK-PK</sub>	
PEAK TORQUE	8.85 in lb	1.00 N m
PEAK CURRENT	3.04 A <sub>RMS</sub> / 4.30 A <sub>PK-PK</sub>	
RATED SPEED	3000 RPM / 315 rad/s	
MAX. OPERATING SPEED	5000 RPM / 525 rad/s	
RATED POWER	0.13 HP / 100 W	
BACK EMF CONSTANT (K <sub>c</sub> )	24.44 V/kRPM	
TORQUE CONSTANT (K <sub>t</sub> )	2.92 in lb / A <sub>PK</sub>	0.23 N m / A <sub>PK</sub>
PHASE INDUCTANCE @25°C	22.800 mH	
PHASE RESISTANCE @25°C	8.000 ohms	
INERTIA (WITHOUT BRAKE)	3.76x10 <sup>-2</sup> lb in <sup>2</sup>	1.10x10 <sup>-1</sup> kg cm <sup>2</sup>
INERTIA (WITH BRAKE)	4.78x10 <sup>-2</sup> lb in <sup>2</sup>	1.40x10 <sup>-1</sup> kg cm <sup>2</sup>
NUMBER OF POLES	8	

POWER CONNECTOR RECEPTACLE: 172167-1 PIN: 170360-1	
PIN	SIGNAL
1	U
2	V
3	W
4	G

BRAKE CONNECTOR PLUG: 172165-1 PIN: 170360-1	
PIN	SIGNAL
1	BRAKE
2	BRAKE

MATING CONNECTOR CAP: 172159-1 SOCKET: 170362-1 OR: 170366-1	
---	--

BRAKE INFORMATION		MOTOR FLANGE SIZE
ITEM	UNIT	60 mm
STATIC FRICTION TORQUE	N m	1.69
ROTOR INERTIA	10 <sup>-1</sup> kg cm <sup>2</sup>	0.20
ARMATURE SUCTION TIME	ms	50
ARMATURE RELEASE TIME	ms	15
RELEASE VOLTAGE	DC, V	2 (AT 20°C)
EXCITATION VOLTAGE	DC, V	24 ± 2.4
EXCITATION CURRENT	DC, A	0.36



**QUICKMOTION**

23011 MOULTON PARKWAY, SUITE J3  
LAGUNA HILLS, CA 92653

TITLE: **QS60-B01-xB2**  
**QS60-B01-xN2**

SIZE **B** DWG. NO. **060-0100-02** REV **A**

SCALE: NONE SHEET 1 OF 1