

MOTOR PARAMETERS	ENGLISH UNITS	METRIC UNITS
CONTINUOUS TORQUE	3.19 in lb	0.36 N m
CONTINUOUS CURRENT	1.64 A _{RMS} / 2.32 A _{PK-PK}	
PEAK TORQUE	9.56 in lb	1.08 N m
PEAK CURRENT	4.92 A _{RMS} / 6.96 A _{PK-PK}	
RATED SPEED	3000 RPM / 315 rad/s	
MAX. OPERATING SPEED	5000 RPM / 525 rad/s	
RATED POWER	0.13 HP / 100 W	
BACK EMF CONSTANT (K _c)	16.29 V/kRPM	
TORQUE CONSTANT (K _t)	1.95 in lb / A _{PK}	0.16 N m / A _{PK}
PHASE INDUCTANCE @25°C	7.400 mH	
PHASE RESISTANCE @25°C	2.880 ohms	
INERTIA (WITHOUT BRAKE)	3.76x10 ⁻² lb in ²	1.10x10 ⁻¹ kg cm ²
INERTIA (WITH BRAKE)	4.78x10 ⁻² lb in ²	1.40x10 ⁻¹ kg cm ²
NUMBER OF POLES	8	

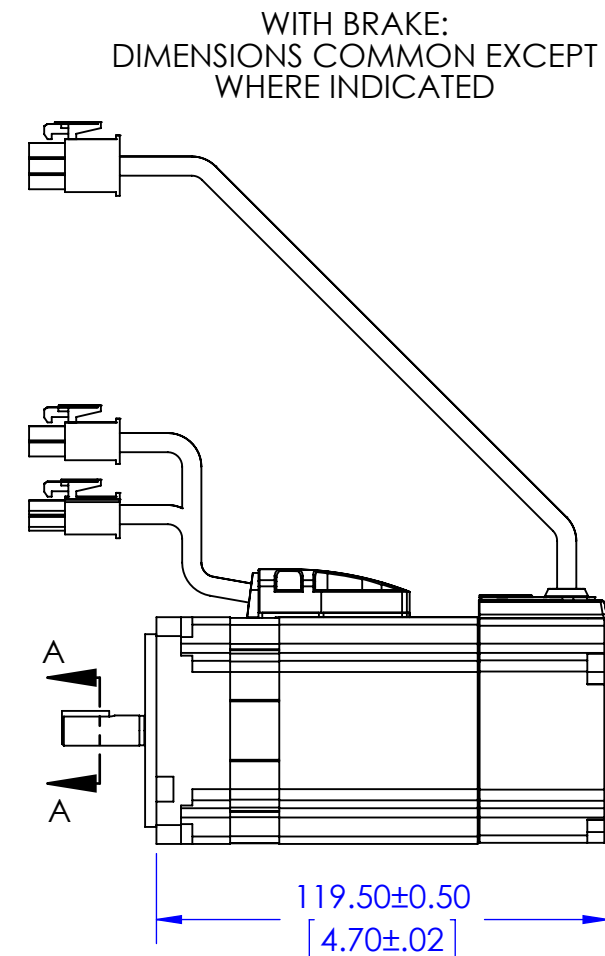
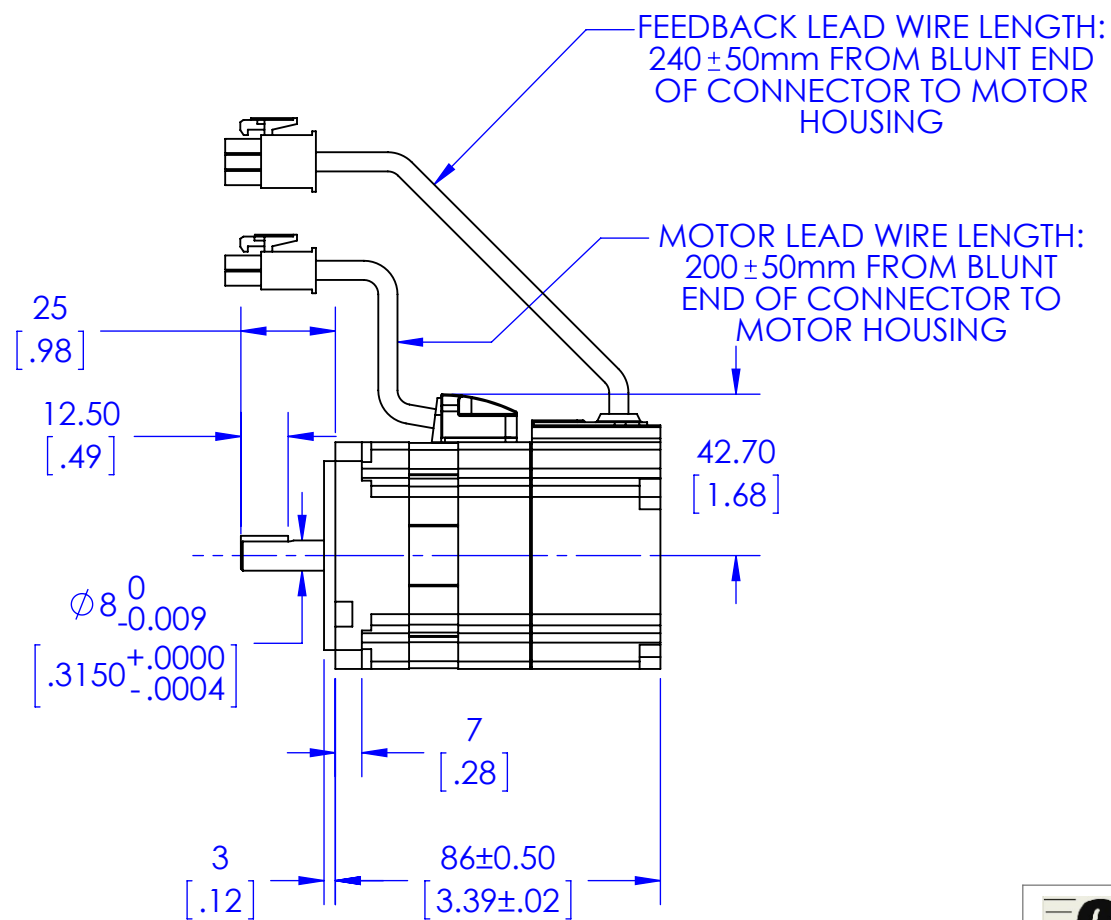
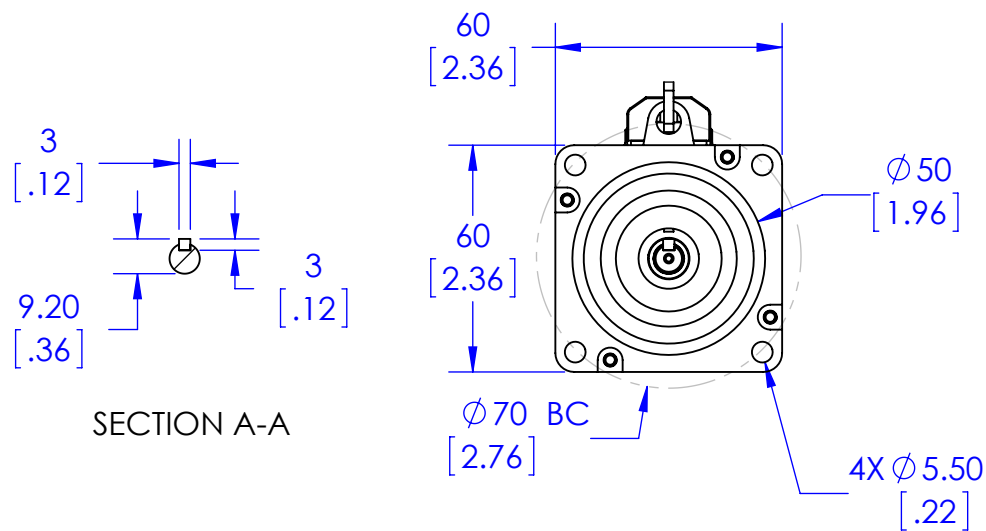
POWER CONNECTOR RECEPTACLE: 172167-1 PIN: 170360-1	
PIN	SIGNAL
1	U
2	V
3	W
4	G

MATING CONNECTOR CAP: 172159-1 SOCKET: 170362-1 OR: 170366-1	
---	--

BRAKE CONNECTOR PLUG: 172165-1 PIN: 170360-1	
PIN	SIGNAL
1	BRAKE
2	BRAKE

MATING CONNECTOR CAP: 172157-1 SOCKET: 170362-1 OR: 170366-1	
---	--

BRAKE INFORMATION		MOTOR FLANGE SIZE
ITEM	UNIT	60 mm
STATIC FRICTION TORQUE	N m	1.69
ROTOR INERTIA	10 ⁻¹ kg cm ²	0.20
ARMATURE SUCTION TIME	ms	50
ARMATURE RELEASE TIME	ms	15
RELEASE VOLTAGE	DC, V	2 (AT 20°C)
EXCITATION VOLTAGE	DC, V	24 ± 2.4
EXCITATION CURRENT	DC, A	0.36



QUICKMOTION

23011 MOULTON PARKWAY, SUITE J3
LAGUNA HILLS, CA 92653

TITLE: **QS60-A01-xB2**
QS60-A01-xN2

SIZE **B** DWG. NO. **060-0100-01** REV **A**

SCALE: NONE SHEET 1 OF 1