

MOTOR PARAMETERS	ENGLISH UNITS	METRIC UNITS
CONTINUOUS TORQUE	2.3 in lb	0.26 N m
CONTINUOUS CURRENT	2.6 A _{rms} / 3.68 A _{pk-rk}	
PEAK TORQUE	4.6 in lb	.52 N m
PEAK CURRENT	5.20 A _{rms} / 7.35 A _{pk-rk}	
RATED SPEED	3000 RPM / 315 rad/s	
MAX. OPERATING SPEED	3400 RPM / 356 rad/s	
RATED POWER	0.11 HP / 80 W	
BACK EMF CONSTANT (K _e)	7.75 V/kRPM	
TORQUE CONSTANT (K _t)	1.95 in lb / A _{pk}	0.11 N m / A _{pk}
PHASE INDUCTANCE @25 °C	1.22 mH	
PHASE RESISTANCE @25 °C	1.52 ohms	
INERTIA (WITHOUT BRAKE)	1.33 x 10 ⁻² lb in ²	3.90 x 10 ⁻² kg cm ²
INERTIA (WITH BRAKE)	1.67 x 10 ⁻² lb in ²	4.90 x 10 ⁻² kg cm ²
NUMBER OF POLES	8	

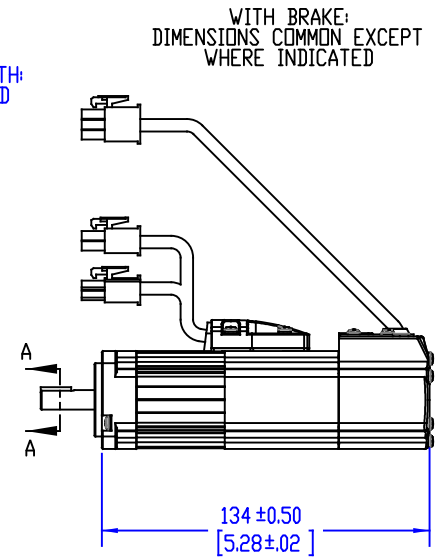
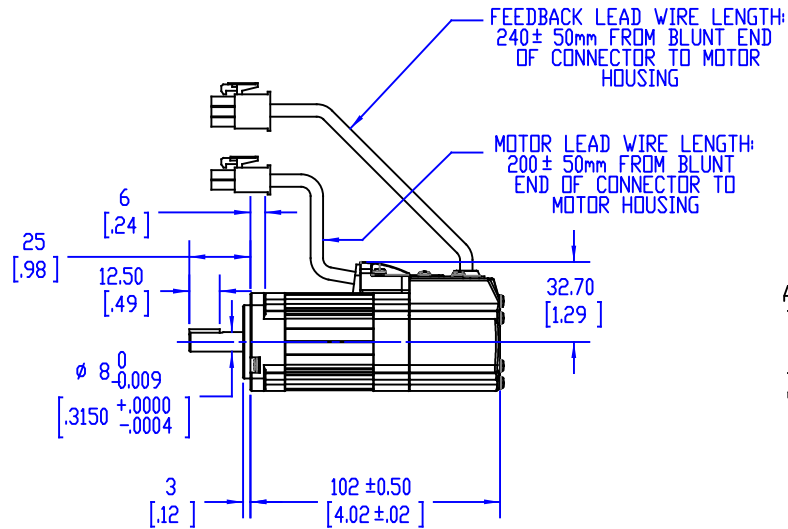
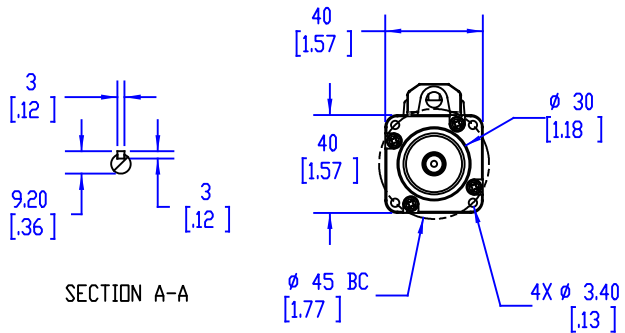
POWER CONNECTOR RECEPTACLE: 172167-1 PIN: 170360-1	
PIN	SIGNAL
1	U
2	V
3	W
4	G

MATING CONNECTOR CAP: 172159-1 SOCKET: 170362-1 DR: 170366-1	
---	--

BRAKE CONNECTOR PLUG: 172165-1 PIN: 170360-1	
PIN	SIGNAL
1	BRAKE
2	BRAKE

MATING CONNECTOR CAP: 172157-1 SOCKET: 170362-1 DR: 170366-1	
---	--

BRAKE INFORMATION		MOTOR FLANGE SIZE
ITEM	UNIT	40 mm
STATIC FRICTION TORQUE	N m	0.39
ROTOR INERTIA	10 ⁻² kg cm ²	0.25
ARMATURE SUCTION TIME	ms	25
ARMATURE RELEASE TIME	ms	20
RELEASE VOLTAGE	DC, V	2 (AT 20°C)
EXCITATION VOLTAGE	DC, V	24 ± 2.4
EXCITATION CURRENT	DC, A	0.26



1930 WATSON WAY, SUITE F
VISTA, CA 92081

TITLE: QS40-DA8-xB2
QS40-DA8-xN2

SIZE DWG. NO. REV
B 040-0080-04 A

SCALE: NONE SHEET 1 OF 1