

MOTOR PARAMETERS	ENGLISH UNITS	METRIC UNITS
CONTINUOUS TORQUE	2.83 in lb	0.32 N m
CONTINUOUS CURRENT	3.45A _{RMS} / 4.88A _{PK-PK}	
PEAK TORQUE	5.66 in lb	.64 N m
PEAK CURRENT	6.9A _{RMS} / 9.76A _{PK-PK}	
RATED SPEED	3000 RPM / 315 rad/s	
MAX. OPERATING SPEED	3400 RPM / 356 rad/s	
RATED POWER	0.13 HP / 100 W	
BACK EMF CONSTANT (K _e)	14.6V/kRPM	
TORQUE CONSTANT (K _t)	1.23in lb / A _{PK} 0.14N m / A _{PK}	
PHASE INDUCTANCE @25 °C	.96 mH	
PHASE RESISTANCE @25°C	.61 ohms	
INERTIA (WITHOUT BRAKE)	2.02x10 ⁻² lb in ²	5.90x10 ⁻² kg cm ²
INERTIA (WITH BRAKE)	2.08x10 ⁻² lb in ²	6.10 x10 ⁻² kg cm ²
NUMBER OF POLES	8	

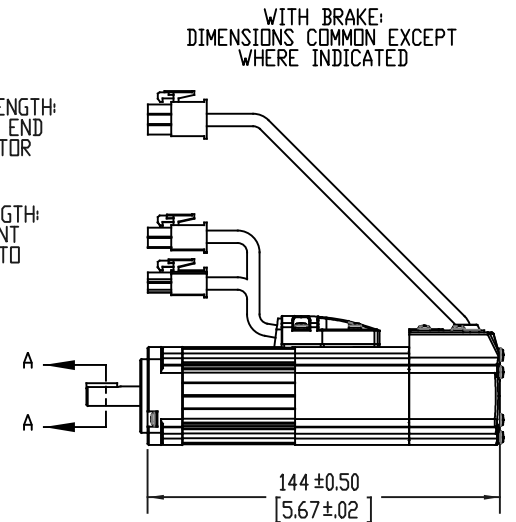
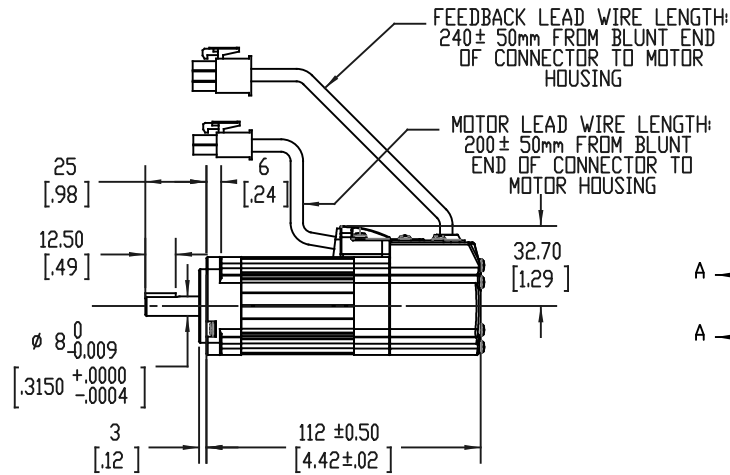
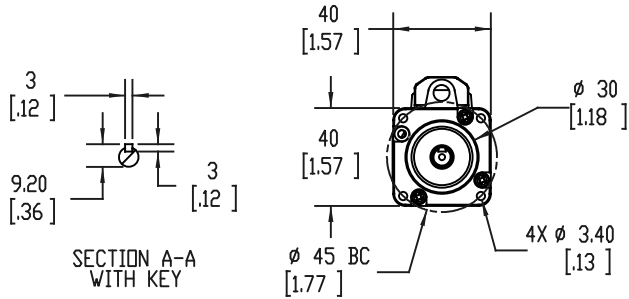
POWER CONNECTOR RECEPTACLE: 172167-1 PIN: 170360-1	
PIN	SIGNAL
1	U
2	V
3	W
4	G

MATING CONNECTOR CAP: 172159-1 SOCKET: 170362-1 DR: 170366-1	
--	--

BRAKE CONNECTOR PLUG: 172165-1 PIN: 170360-1	
PIN	SIGNAL
1	BRAKE
2	BRAKE

MATING CONNECTOR CAP: 172163-1 SOCKET: 170361-1 DR: 170365-1	
--	--

BRAKE INFORMATION		MOTOR FLANGE SIZE
ITEM	UNIT	40 mm
STATIC FRICTION TORQUE	N m	0.39
ROTOR INERTIA	10 ⁻² kg cm ²	0.25
ARMATURE SUCTION TIME	ms	25
ARMATURE RELEASE TIME	ms	20
RELEASE VOLTAGE	DC, V	2 (AT 20°C)
EXCITATION VOLTAGE	DC, V	24 ± 2.4
EXCITATION CURRENT	DC, A	0.26



1930 WATSON WAY, SUITE F
VISTA, CA 92081

TITLE: QS40-D01-xB2
QS40-D01-xN2

SIZE	DWG. NO.	REV
B	040-0100-04	A

SCALE: NONE SHEET 1 OF 1