

MOTOR PARAMETERS	ENGLISH UNITS	METRIC UNITS
CONTINUOUS TORQUE	0.84 in lb	0.09N m
CONTINUOUS CURRENT	1.10 A <sub>RMS</sub> / 1.56A <sub>PK-PK</sub>	
PEAK TORQUE	2.48in lb	0.28 N m
PEAK CURRENT	3.04 A <sub>RMS</sub> / 4.30 A <sub>PK-PK</sub>	
RATED SPEED	3000 RPM / 315 rad/s	
MAX. OPERATING SPEED	5000 RPM / 524 rad/s	
RATED POWER	0.04 HP / 30 W	
BACK EMF CONSTANT (K <sub>e</sub> )	10.47 V/kRPM	
TORQUE CONSTANT (K <sub>t</sub> )	1.77 in lb / A <sub>PK</sub>	1.41 N m / A <sub>PK</sub>
PHASE INDUCTANCE @25 °C	4.8 mH	
PHASE RESISTANCE @25 °C	8.00 ohms	
INERTIA (WITHOUT BRAKE)	5.13x10 <sup>-3</sup> lb in <sup>2</sup>	1.50 x10 <sup>-2</sup> kg cm <sup>2</sup>
INERTIA (WITH BRAKE)	6.49x10 <sup>-3</sup> lb in <sup>2</sup>	1.90 x10 <sup>-2</sup> kg cm <sup>2</sup>
NUMBER OF POLES	8	

POWER CONNECTOR RECEPTACLE: 172167-1 PIN: 170360-1	
PIN	SIGNAL
1	U
2	V
3	W
4	G

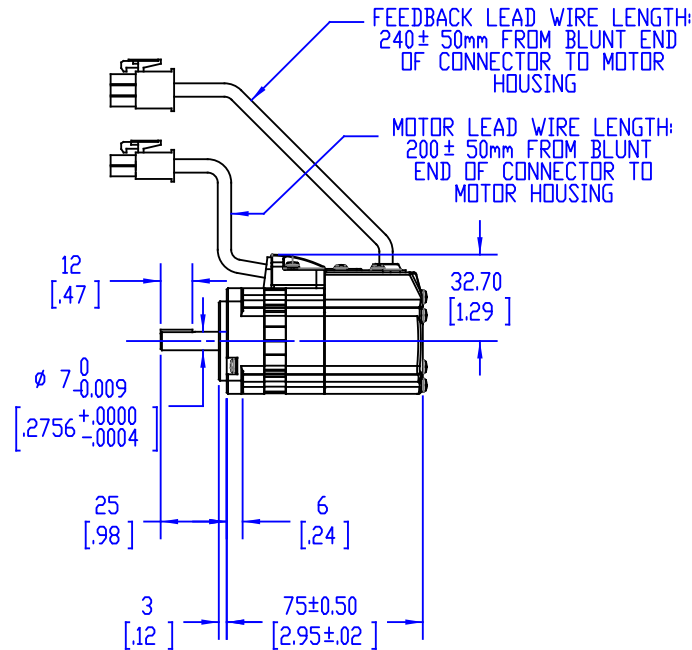
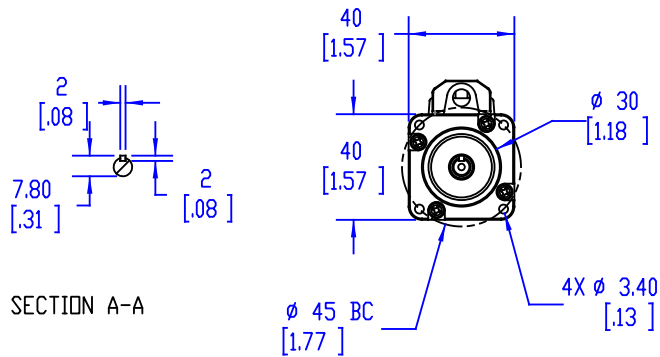
MATING CONNECTOR CAP: 172159-1 SOCKET: 170362-1 DR: 170366-1	
--	--

BRAKE CONNECTOR PLUG: 172165-1 PIN: 170360-1	
PIN	SIGNAL
1	BRAKE
2	BRAKE

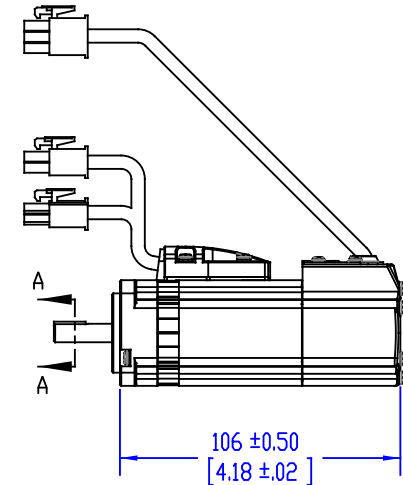
  


MATING CONNECTOR CAP: 172163-1 SOCKET: 170361-1 DR: 170365-1	
--	--

BRAKE INFORMATION		MOTOR FLANGE SIZE
ITEM	UNIT	40 mm
STATIC FRICTION TORQUE	N m	0.39
ROTOR INERTIA	10 <sup>-2</sup> kg cm <sup>2</sup>	0.25
ARMATURE SUCTION TIME	ms	25
ARMATURE RELEASE TIME	ms	20
RELEASE VOLTAGE	DC, V	2 (AT 20°C)
EXCITATION VOLTAGE	DC, V	24 ± 2.4
EXCITATION CURRENT	DC, A	0.26



WITH BRAKE:  
DIMENSIONS COMMON EXCEPT  
WHERE INDICATED



 www.QUICKMOTIONUSA.COM	TITLE: QS40-BA3-xB2 QS40-BA3-xN2	REV A
	SIZE: DWG. NO. B 040-0030-2	
	SCALE: NONE 3	SHEET 1 OF 1