

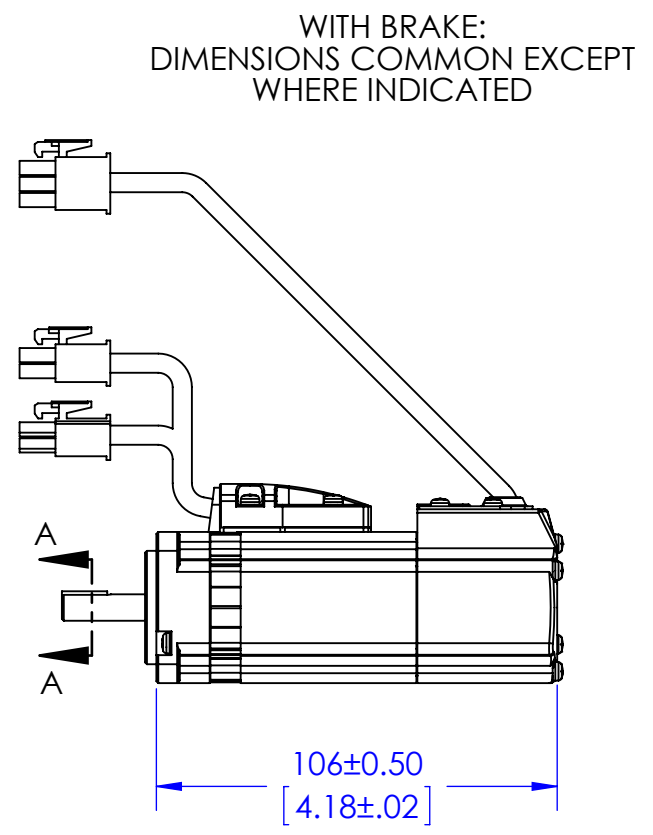
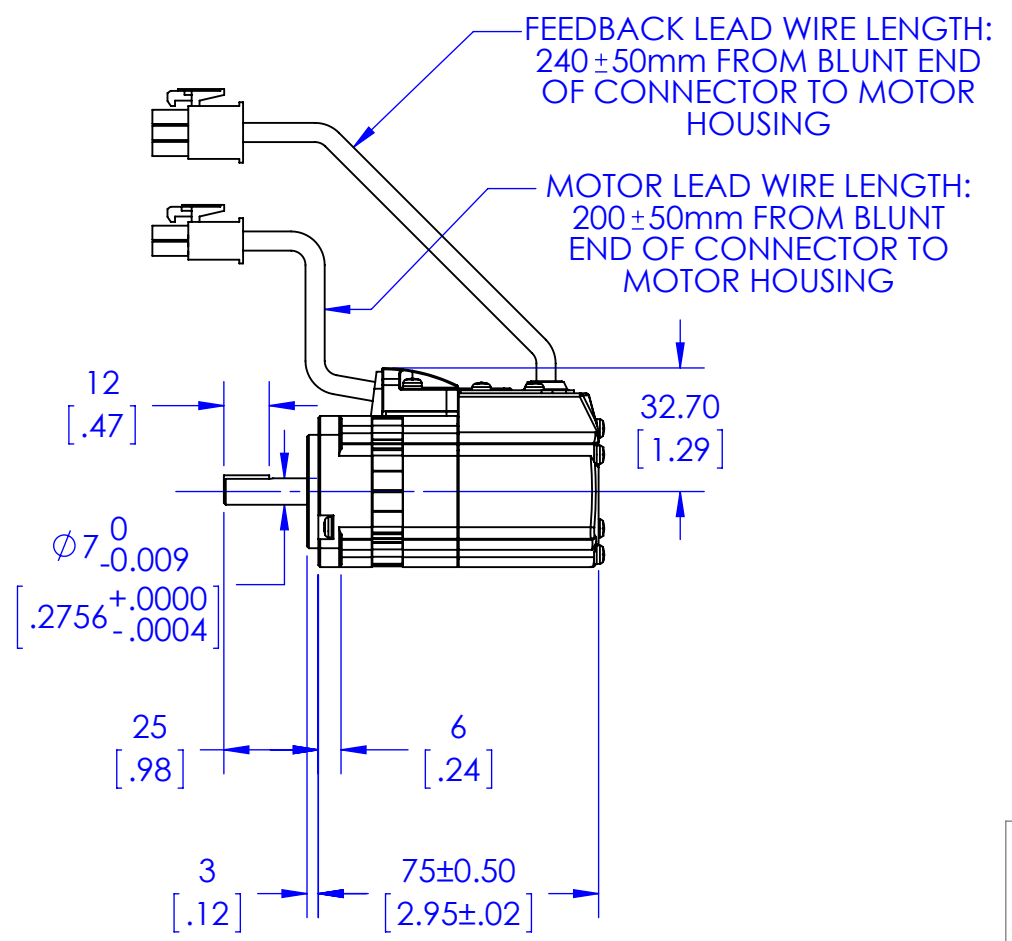
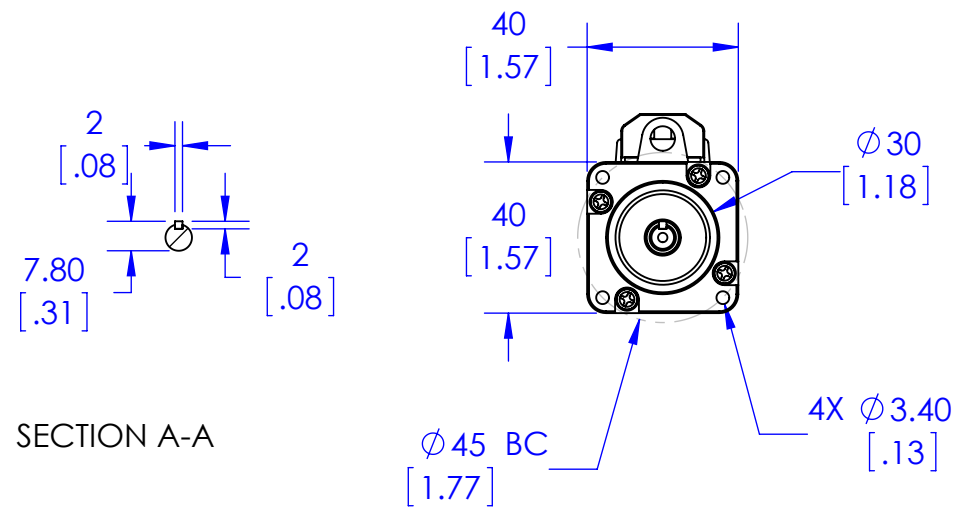
MOTOR PARAMETERS	ENGLISH UNITS	METRIC UNITS
CONTINUOUS TORQUE	0.93 in lb	0.11 N m
CONTINUOUS CURRENT	1.10 A _{RMS} / 1.56 A _{PK-PK}	
PEAK TORQUE	2.70 in lb	0.305 N m
PEAK CURRENT	3.30 A _{RMS} / 4.67 A _{PK-PK}	
RATED SPEED	3000 RPM / 315 rad/s	
MAX. OPERATING SPEED	5000 RPM / 525 rad/s	
RATED POWER	0.04 HP / 30 W	
BACK EMF CONSTANT (K _c)	6.89 V/kRPM	
TORQUE CONSTANT (K _t)	0.82 in lb / A _{PK}	0.07 N m / A _{PK}
PHASE INDUCTANCE @25°C	5.240 mH	
PHASE RESISTANCE @25°C	7.660 ohms	
INERTIA (WITHOUT BRAKE)	5.13x10 ⁻³ lb in ²	1.50x10 ⁻² kg cm ²
INERTIA (WITH BRAKE)	6.49x10 ⁻³ lb in ²	1.90x10 ⁻² kg cm ²
NUMBER OF POLES	8	

POWER CONNECTOR RECEPTACLE: 172167-1 PIN: 170360-1	
PIN	SIGNAL
1	U
2	V
3	W
4	G

BRAKE CONNECTOR PLUG: 172165-1 PIN: 170360-1	
PIN	SIGNAL
1	BRAKE
2	BRAKE

MATING CONNECTOR CAP: 172159-1 SOCKET: 170362-1 OR: 170366-1	
---	--

BRAKE INFORMATION		MOTOR FLANGE SIZE
ITEM	UNIT	40 mm
STATIC FRICTION TORQUE	N m	0.39
ROTOR INERTIA	10 ⁻² kg cm ²	0.25
ARMATURE SUCTION TIME	ms	25
ARMATURE RELEASE TIME	ms	20
RELEASE VOLTAGE	DC, V	2 (AT 20°C)
EXCITATION VOLTAGE	DC, V	24 ± 2.4
EXCITATION CURRENT	DC, A	0.26



QUICKMOTION
23011 MOULTON PARKWAY, SUITE J3
LAGUNA HILLS, CA 92653

TITLE:	QS40-AA3-xB2 QS40-AA3-xN2
SIZE	DWG. NO.
B	040-0030-01
SCALE: NONE	REV A
SHEET 1 OF 1	