

MOTOR PARAMETERS	ENGLISH UNITS	METRIC UNITS
CONTINUOUS TORQUE	56.38 in lb	6.37 N m
CONTINUOUS CURRENT	13.00 A <sub>RMS</sub> / 18.38 A <sub>PK-PK</sub>	
PEAK TORQUE	170.29 in lb	19.24 N m
PEAK CURRENT	39.60 A <sub>RMS</sub> / 56.00 A <sub>PK-PK</sub>	
RATED SPEED	3000 RPM / 315 rad/s	
MAX. OPERATING SPEED	5000 RPM / 525 rad/s	
RATED POWER	2.68 HP / 2000 W	
BACK EMF CONSTANT (K <sub>c</sub> )	36.29 V/kRPM	
TORQUE CONSTANT (K <sub>t</sub> )	4.34 in lb / A <sub>PK</sub>	0.35 N m / A <sub>PK</sub>
PHASE INDUCTANCE @25°C	2.680 mH	
PHASE RESISTANCE @25°C	0.248 ohms	
INERTIA (WITHOUT BRAKE)	1.04 lb in <sup>2</sup>	3.04 kg cm <sup>2</sup>
INERTIA (WITH BRAKE)	1.19 lb in <sup>2</sup>	3.49 kg cm <sup>2</sup>
NUMBER OF POLES	8	

POWER CONNECTOR BRAKE MOTOR RECEPTACLE: MS3102A 20-4P	
PIN	SIGNAL
A	/
B	W
C	/
D	FG
E	FG
F	U
G	BR
H	BR
I	V

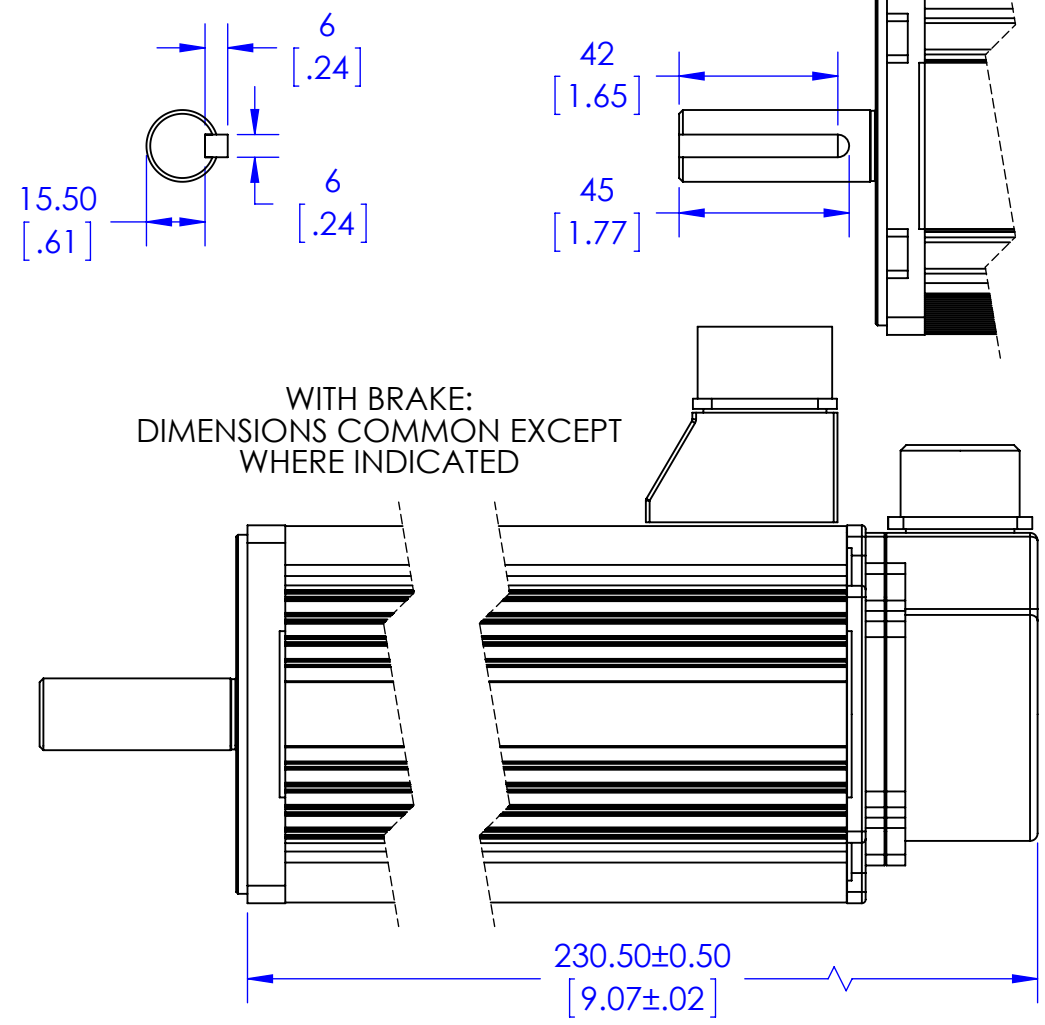
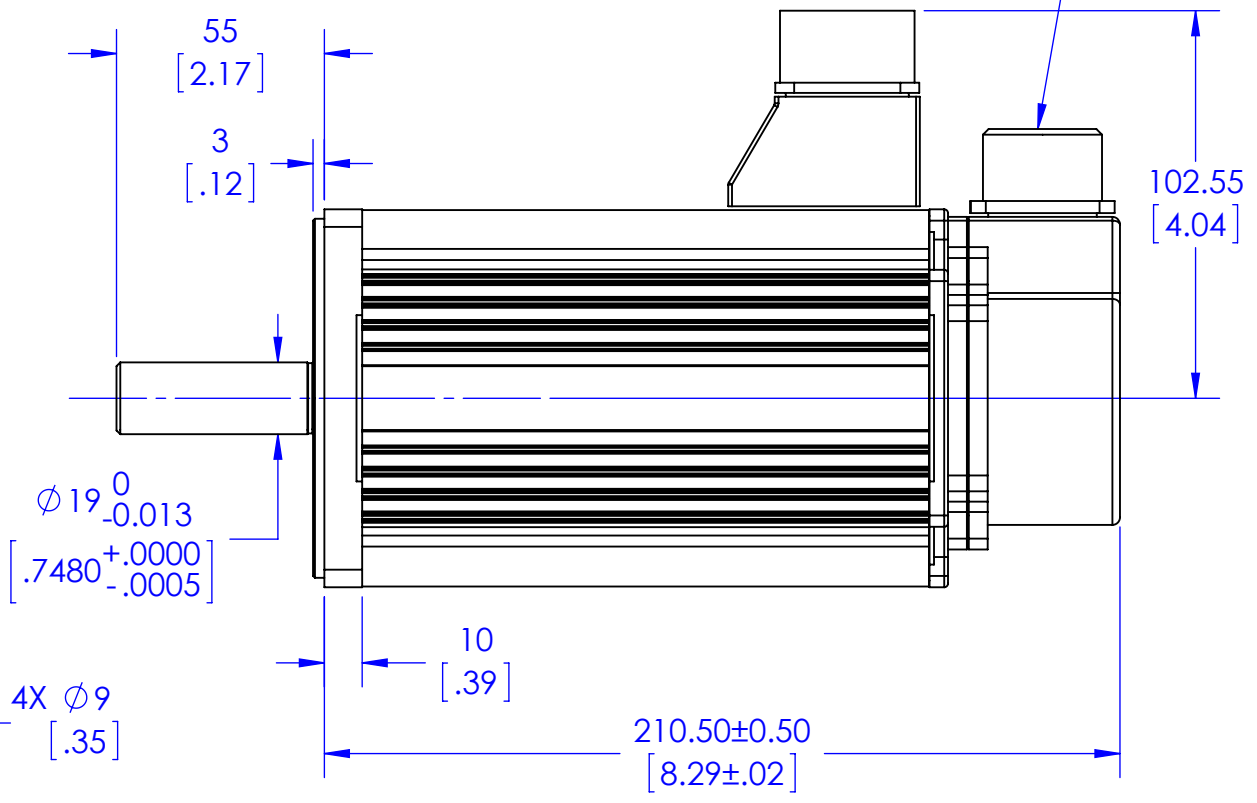
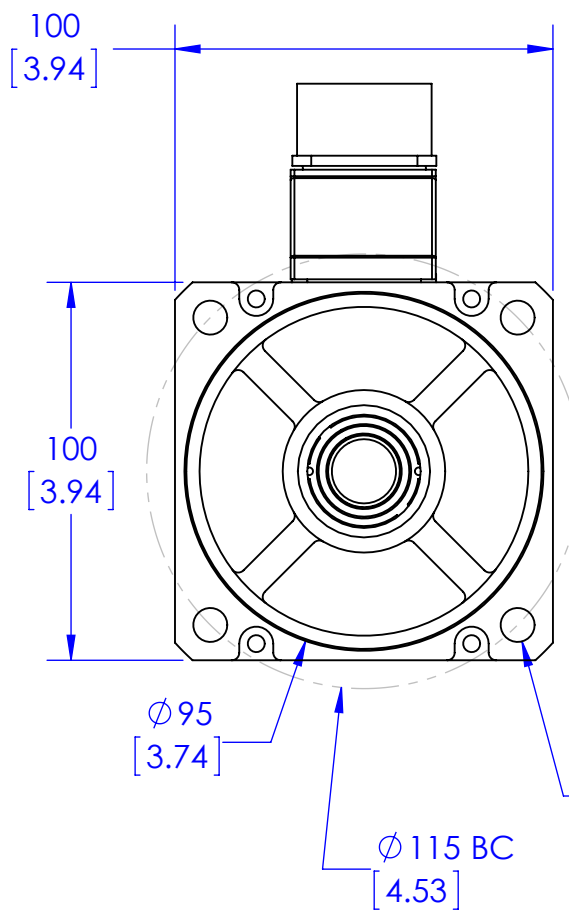
MATING CONNECTOR  
CAP: MS3106A 20-4P

POWER CONNECTOR NON-BRAKE RECEPTACLE: MS3102A 20-18P	
PIN	SIGNAL
A	U
B	V
C	W
D	FG

MATING CONNECTOR  
CAP: MS3106A 20-18P

BRAKE INFORMATION		MOTOR FLANGE SIZE
ITEM	UNIT	100 mm
STATIC FRICTION TORQUE	N m	12
ROTOR INERTIA	kg cm <sup>2</sup>	0.45
ARMATURE SUCTION TIME	ms	100
ARMATURE RELEASE TIME	ms	20
RELEASE VOLTAGE	DC, V	2 (AT 20°C)
EXCITATION VOLTAGE	DC, V	24 ± 2.4
EXCITATION CURRENT	DC, A	0.83

REFER TO FEEDBACK DEVICE DRAWING  
FOR MATING CONNECTOR AND PIN  
OUT INFORMATION



**QUICKMOTION**  
23011 MOULTON PARKWAY, SUITE J3  
LAGUNA HILLS, CA 92653

TITLE: **QS100-B20-xB2**  
**QS100-B20-xN2**

SIZE **B** DWG. NO. **100-2000-01** REV **A**

SCALE: NONE SHEET 1 OF 1