

MOTOR PARAMETERS	ENGLISH UNITS	METRIC UNITS
CONTINUOUS TORQUE	0.84 in lb	0.09N m
CONTINUOUS CURRENT	1.40 A <sub>RMS</sub> / 1.98A <sub>PK-PK</sub>	
PEAK TORQUE	1.68 in lb	0.19 N m
PEAK CURRENT	2.80 A <sub>RMS</sub> / 3.96 A <sub>PK-PK</sub>	
RATED SPEED	3000 RPM / 315 rad/s	
MAX. OPERATING SPEED	3400 RPM / 356 rad/s	
RATED POWER	0.04 HP / 30 W	
BACK EMF CONSTANT (K <sub>c</sub> )	0.54 V/kRPM	
TORQUE CONSTANT (K <sub>t</sub> )	.93 in lb / A <sub>PK</sub>	0.05 N m / A <sub>PK</sub>
PHASE INDUCTANCE @25 °C	3.10 mH	
PHASE RESISTANCE @25 °C	4.54 ohms	
INERTIA (WITHOUT BRAKE)	5.13 x 10 <sup>-3</sup> lb in <sup>2</sup>	1.50 x 10 <sup>-2</sup> kg cm <sup>2</sup>
INERTIA (WITH BRAKE)	6.49 x 10 <sup>-3</sup> lb in <sup>2</sup>	1.90 x 10 <sup>-2</sup> kg cm <sup>2</sup>
NUMBER OF POLES	8	

POWER CONNECTOR RECEPTACLE: 172167-1 PIN: 170360-1	
PIN	SIGNAL
1	U
2	V
3	W
4	G

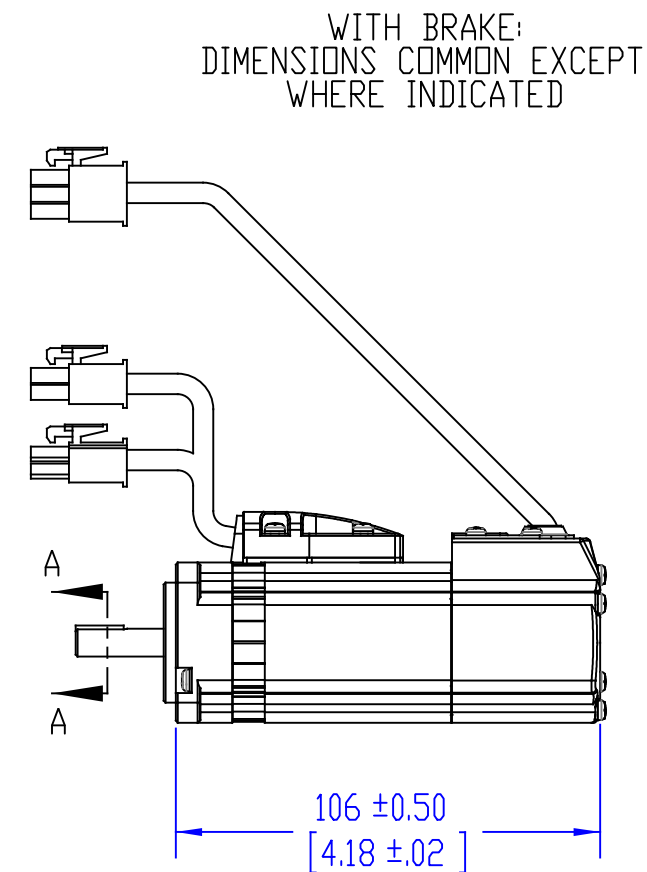
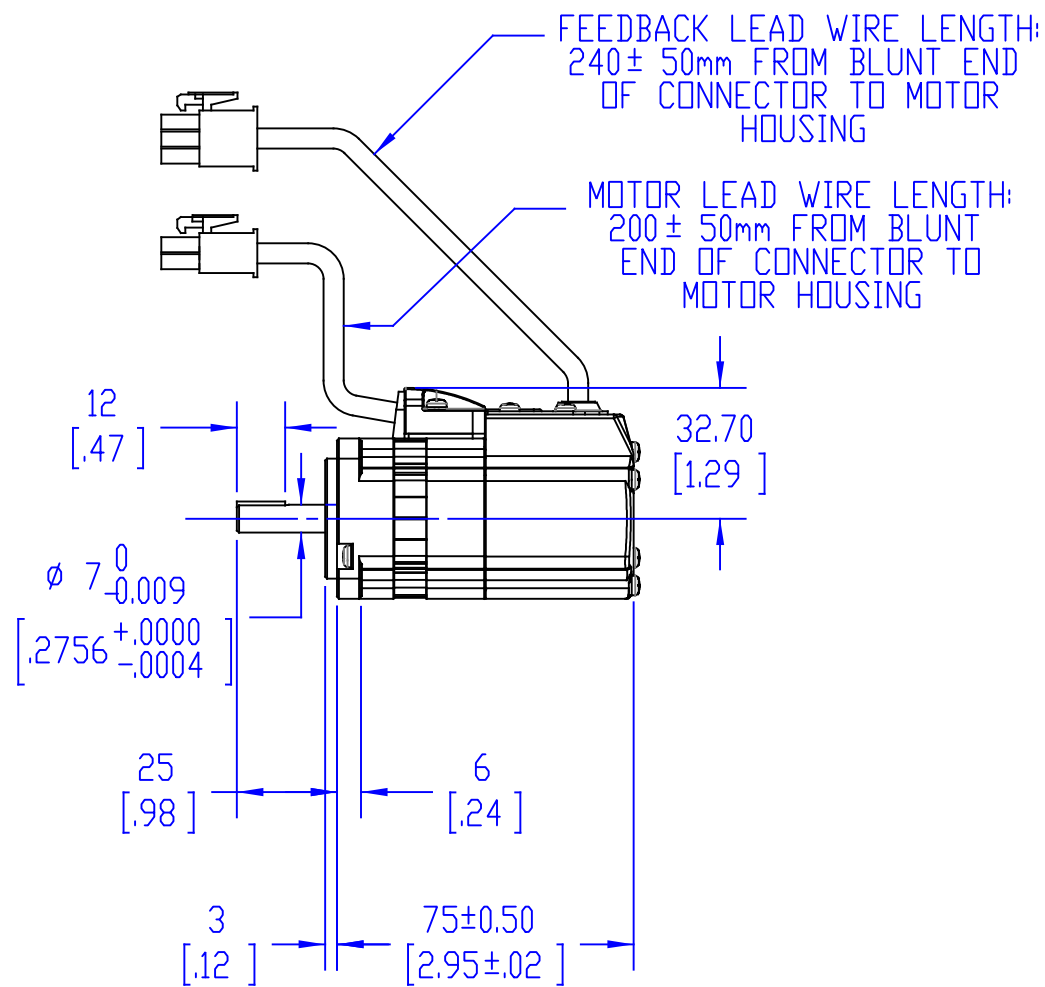
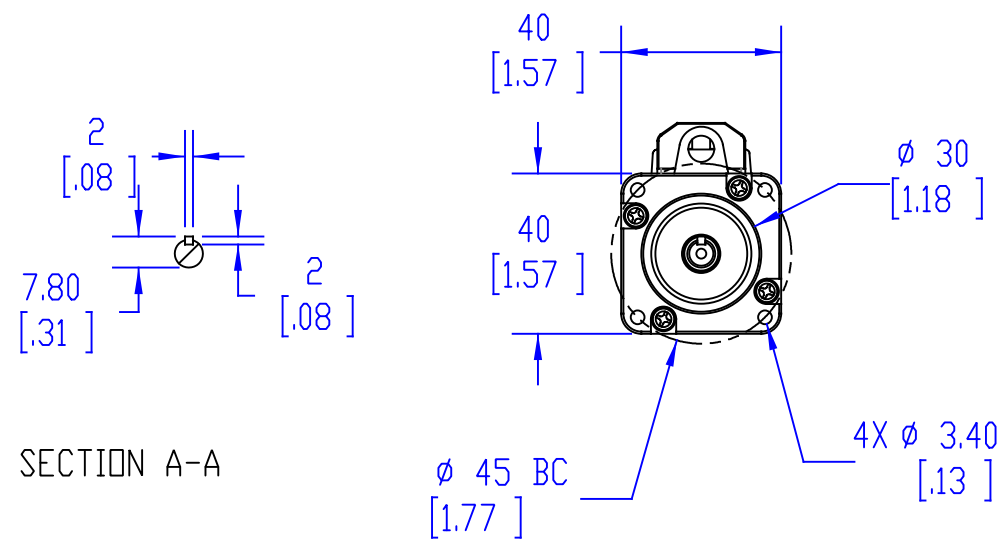
MATING CONNECTOR CAP: 172159-1 SOCKET: 170362-1 OR: 170366-1	
---	--

BRAKE CONNECTOR PLUG: 172165-1 PIN: 170360-1	
PIN	SIGNAL
1	BRAKE
2	BRAKE

MATING CONNECTOR CAP: 172163-1 SOCKET: 170361-1 OR: 170365-1	
---	--

BRAKE INFORMATION		MOTOR FLANGE SIZE
ITEM	UNIT	40 mm
STATIC FRICTION TORQUE	N m	0.39
ROTOR INERTIA	10 <sup>-2</sup> kg cm <sup>2</sup>	0.25
ARMATURE SUCTION TIME	ms	25
ARMATURE RELEASE TIME	ms	20
RELEASE VOLTAGE	DC, V	2 (AT 20°C)
EXCITATION VOLTAGE	DC, V	24 ± 2.4
EXCITATION CURRENT	DC, A	0.26



**QuickMotion**  
www.QUICKMOTIONUSA.COM

TITLE: QS40-DA3-xB2  
QS40-DA3-xN2

SIZE DWG. NO. REV  
B 040-0030-03 A

SCALE: NONE SHEET 1 OF 1