

MOTOR PARAMETERS	ENGLISH UNITS	METRIC UNITS
CONTINUOUS TORQUE	30.54 in lb	3.45 N m
CONTINUOUS CURRENT	4.31 A <sub>RMS</sub> / 6.10 A <sub>PK-PK</sub>	
PEAK TORQUE	91.61 in lb	10.35 N m
PEAK CURRENT	12.94 A <sub>RMS</sub> / 18.30 A <sub>PK-PK</sub>	
RATED SPEED	3000 RPM / 315 rad/s	
MAX. OPERATING SPEED	3500 RPM / 368 rad/s	
RATED POWER	1.27 HP / 950 W	
BACK EMF CONSTANT (K <sub>c</sub> )	59.24 V/kRPM	
TORQUE CONSTANT (K <sub>t</sub> )	7.08 in lb / A <sub>PK</sub>	0.57 N m / A <sub>PK</sub>
PHASE INDUCTANCE @25°C	7.000 mH	
PHASE RESISTANCE @25°C	0.920 ohms	
INERTIA (WITHOUT BRAKE)	5.02x10 <sup>-1</sup> lb in <sup>2</sup>	1.47 kg cm <sup>2</sup>
INERTIA (WITH BRAKE)	5.09x10 <sup>-1</sup> lb in <sup>2</sup>	1.49 kg cm <sup>2</sup>
NUMBER OF POLES	8	

POWER CONNECTOR RECEPTACLE: 172167-1 PIN: 170360-1	
PIN	SIGNAL
1	U
2	V
3	W
4	G

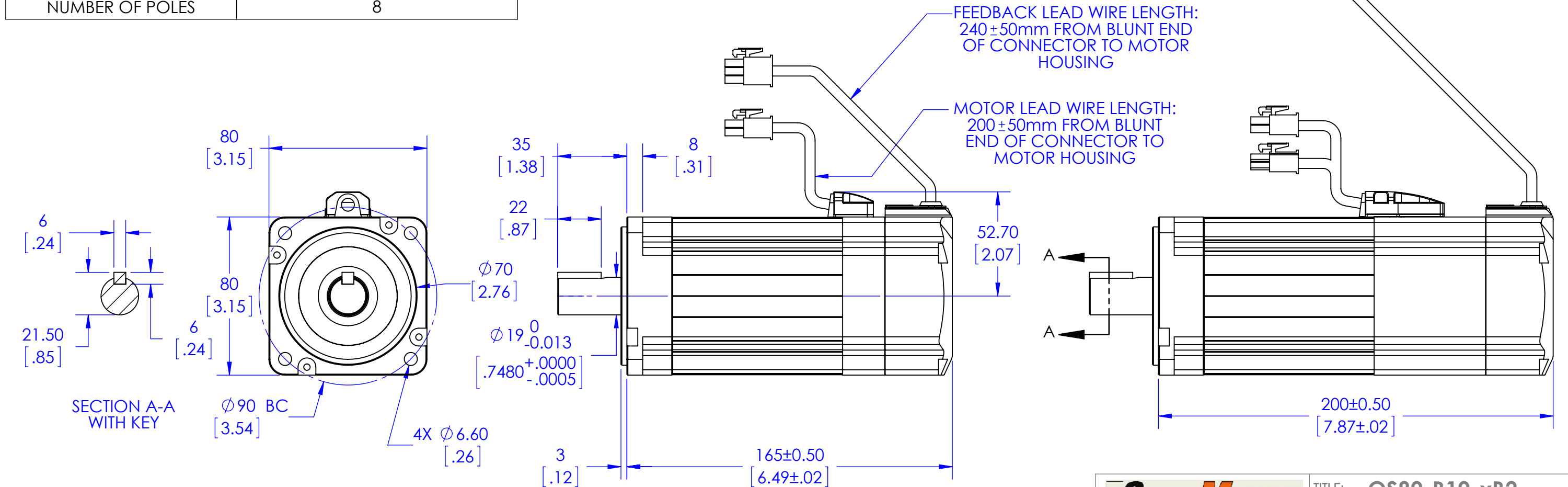
MATING CONNECTOR CAP: 172159-1 SOCKET: 170362-1 OR: 170366-1	
---	--

BRAKE CONNECTOR PLUG: 172165-1 PIN: 170360-1	
PIN	SIGNAL
1	BRAKE
2	BRAKE

MATING CONNECTOR CAP: 172157-1 SOCKET: 170362-1 OR: 170366-1	
---	--

BRAKE INFORMATION		MOTOR FLANGE SIZE
ITEM	UNIT	80 mm
STATIC FRICTION TORQUE	N m	3.25
ROTOR INERTIA	kg cm <sup>2</sup>	0.075
ARMATURE SUCTION TIME	ms	60
ARMATURE RELEASE TIME	ms	15
RELEASE VOLTAGE	DC, V	2 (AT 20°C)
EXCITATION VOLTAGE	DC, V	24 ± 2.4
EXCITATION CURRENT	DC, A	0.43



 23011 MOULTON PARKWAY, SUITE J3 LAGUNA HILLS, CA 92653	TITLE: <b>QS80-B10-xB2</b> <b>QS80-B10-xN2</b>	
	SIZE <b>B</b>	DWG. NO. <b>080-1000-02</b>
	SCALE: NONE	REV <b>A</b> SHEET 1 OF 1