

MOTOR PARAMETERS	ENGLISH UNITS	METRIC UNITS
CONTINUOUS TORQUE	23.99 in lb	2.71 N m
CONTINUOUS CURRENT	4.30 A _{RMS} / 6.08 A _{PK-PK}	
PEAK TORQUE	72.13 in lb	8.15 N m
PEAK CURRENT	12.94 A _{RMS} / 18.30 A _{PK-PK}	
RATED SPEED	3000 RPM / 315 rad/s	
MAX. OPERATING SPEED	4500 RPM / 473 rad/s	
RATED POWER	1.01 HP / 750 W	
BACK EMF CONSTANT (K _c)	46.65 V/kRPM	
TORQUE CONSTANT (K _t)	5.58 in lb / A _{PK}	0.45 N m / A _{PK}
PHASE INDUCTANCE @25°C	6.400 mH	
PHASE RESISTANCE @25°C	0.860 ohms	
INERTIA (WITHOUT BRAKE)	4.10x10 ⁻¹ lb in ²	1.20 kg cm ²
INERTIA (WITH BRAKE)	4.51x10 ⁻¹ lb in ²	1.32 kg cm ²
NUMBER OF POLES	8	

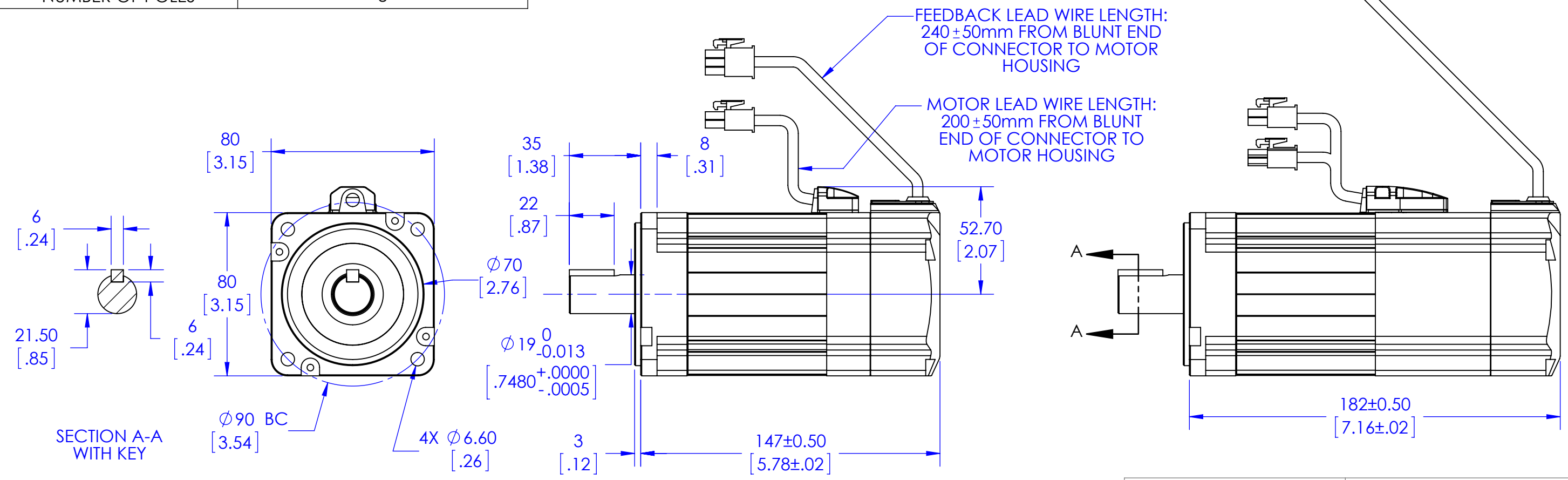
POWER CONNECTOR RECEPTACLE: 172167-1 PIN: 170360-1	
PIN	SIGNAL
1	U
2	V
3	W
4	G

MATING CONNECTOR CAP: 172159-1 SOCKET: 170562-1 OR: 170366-1	
---	--

BRAKE CONNECTOR PLUG: 172165-1 PIN: 170360-1	
PIN	SIGNAL
1	BRAKE
2	BRAKE

MATING CONNECTOR CAP: 172157-1 SOCKET: 170362-1 OR: 170366-1	
---	--

BRAKE INFORMATION		MOTOR FLANGE SIZE
ITEM	UNIT	80 mm
STATIC FRICTION TORQUE	N m	3.25
ROTOR INERTIA	kg cm ²	0.075
ARMATURE SUCTION TIME	ms	60
ARMATURE RELEASE TIME	ms	15
RELEASE VOLTAGE	DC, V	2 (AT 20°C)
EXCITATION VOLTAGE	DC, V	24 ± 2.4
EXCITATION CURRENT	DC, A	0.43



QUICKMOTION

23011 MOULTON PARKWAY, SUITE J3
LAGUNA HILLS, CA 92653

TITLE: **QS80-B08-xB2**
QS80-B08-xN2

SIZE **B** DWG. NO. **080-0800-02** REV **A**

SCALE: NONE SHEET 1 OF 1