

MOTOR PARAMETERS	ENGLISH UNITS	METRIC UNITS
CONTINUOUS TORQUE	12.21 in lb	1.38 N m
CONTINUOUS CURRENT	2.47 A _{RMS} / 3.49 A _{PK-PK}	
PEAK TORQUE	36.82 in lb	4.16 N m
PEAK CURRENT	7.42 A _{RMS} / 10.49 A _{PK-PK}	
RATED SPEED	3000 RPM / 315 rad/s	
MAX. OPERATING SPEED	5000 RPM / 525 rad/s	
RATED POWER	0.54 HP / 400 W	
BACK EMF CONSTANT (K _c)	41.47 V/kRPM	
TORQUE CONSTANT (K _t)	4.96 in lb / A _{PK}	0.40 N m / A _{PK}
PHASE INDUCTANCE @25°C	11.800 mH	
PHASE RESISTANCE @25°C	1.800 ohms	
INERTIA (WITHOUT BRAKE)	2.12x10 ⁻¹ lb in ²	6.20x10 ⁻¹ kg cm ²
INERTIA (WITH BRAKE)	2.53x10 ⁻¹ lb in ²	7.40x10 ⁻¹ kg cm ²
NUMBER OF POLES	8	

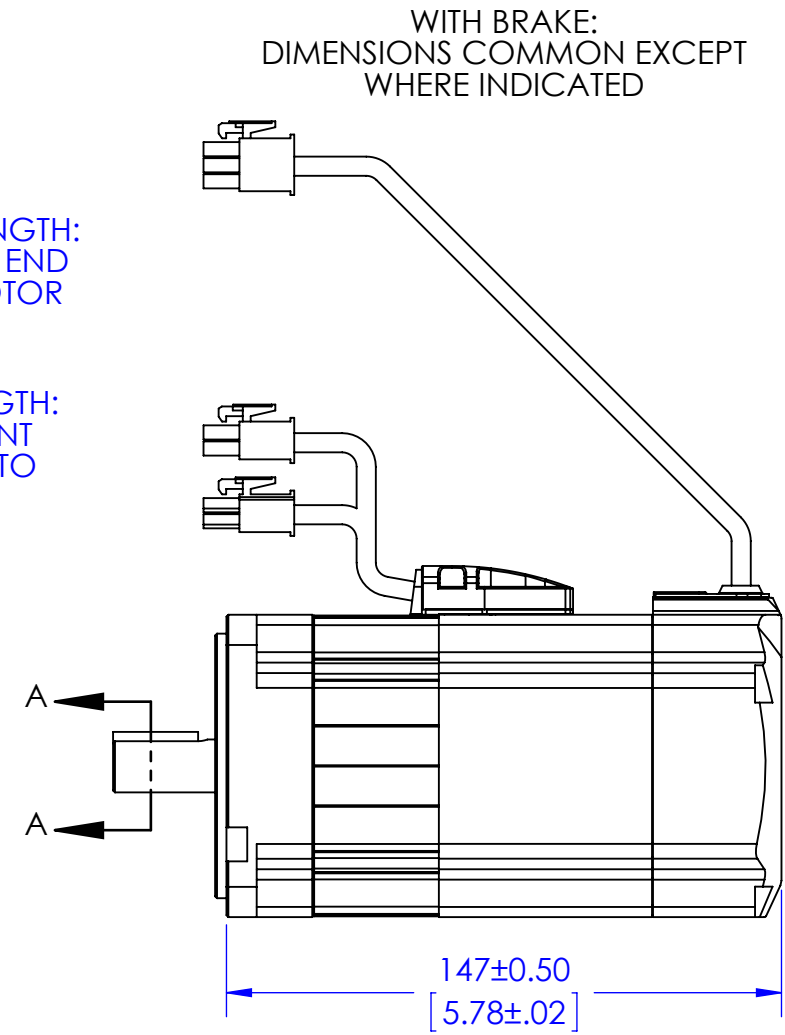
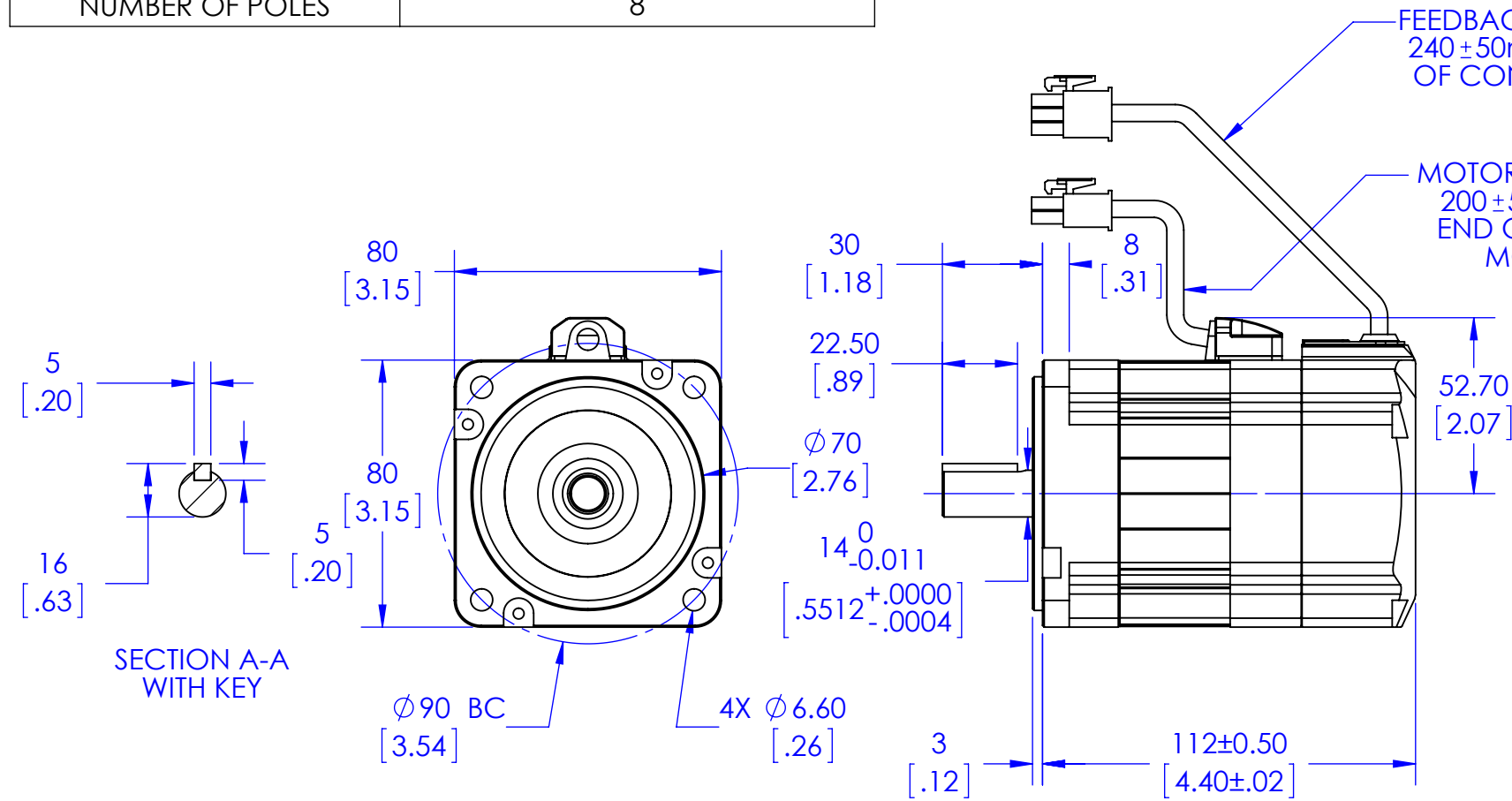
POWER CONNECTOR RECEPTACLE: 172167-1 PIN: 170360-1	
PIN	SIGNAL
1	U
2	V
3	W
4	G

MATING CONNECTOR CAP: 172159-1 SOCKET: 150362-1 OR: 170366-1	
---	--

BRAKE CONNECTOR PLUG: 172165-1 PIN: 170360-1	
PIN	SIGNAL
1	BRAKE
2	BRAKE

MATING CONNECTOR CAP: 172157-1 SOCKET: 170362-1 OR: 170366-1	
---	--

BRAKE INFORMATION		MOTOR FLANGE SIZE
ITEM	UNIT	80 mm
STATIC FRICTION TORQUE	N m	3.25
ROTOR INERTIA	kg cm ²	0.075
ARMATURE SUCTION TIME	ms	60
ARMATURE RELEASE TIME	ms	15
RELEASE VOLTAGE	DC, V	2 (AT 20°C)
EXCITATION VOLTAGE	DC, V	24 ± 2.4
EXCITATION CURRENT	DC, A	0.43



QUICKMOTION

23011 MOULTON PARKWAY, SUITE J3
LAGUNA HILLS, CA 92653

TITLE: **QS80-B04-xB2**
QS80-B04-xN2

SIZE **B** DWG. NO. **080-0400-01** REV **A**

SCALE: NONE SHEET 1 OF 1