

MOTOR PARAMETERS	ENGLISH UNITS	METRIC UNITS
CONTINUOUS TORQUE	18.68 in lb	2.11 N m
CONTINUOUS CURRENT	6.40 A _{RMS} / 9.05 A _{PK-PK}	
PEAK TORQUE	56.03 in lb	6.33 N m
PEAK CURRENT	19.20 A _{RMS} / 27.15 A _{PK-PK}	
RATED SPEED	3000 RPM / 315 rad/s	
MAX. OPERATING SPEED	4000 RPM / 420 rad/s	
RATED POWER	0.80 HP / 600 W	
BACK EMF CONSTANT (K _c)	24.44 V/kRPM	
TORQUE CONSTANT (K _t)	2.92 in lb / A _{PK}	0.23 N m / A _{PK}
PHASE INDUCTANCE @25°C	1.660 mH	
PHASE RESISTANCE @25°C	0.260 ohms	
INERTIA (WITHOUT BRAKE)	4.10x10 ⁻¹ lb in ²	1.20 kg cm ²
INERTIA (WITH BRAKE)	4.51x10 ⁻¹ lb in ²	1.32 kg cm ²
NUMBER OF POLES	8	

POWER CONNECTOR
RECEPTACLE: 172167-1
PIN: 170360-1

PIN	SIGNAL
1	U
2	V
3	W
4	G

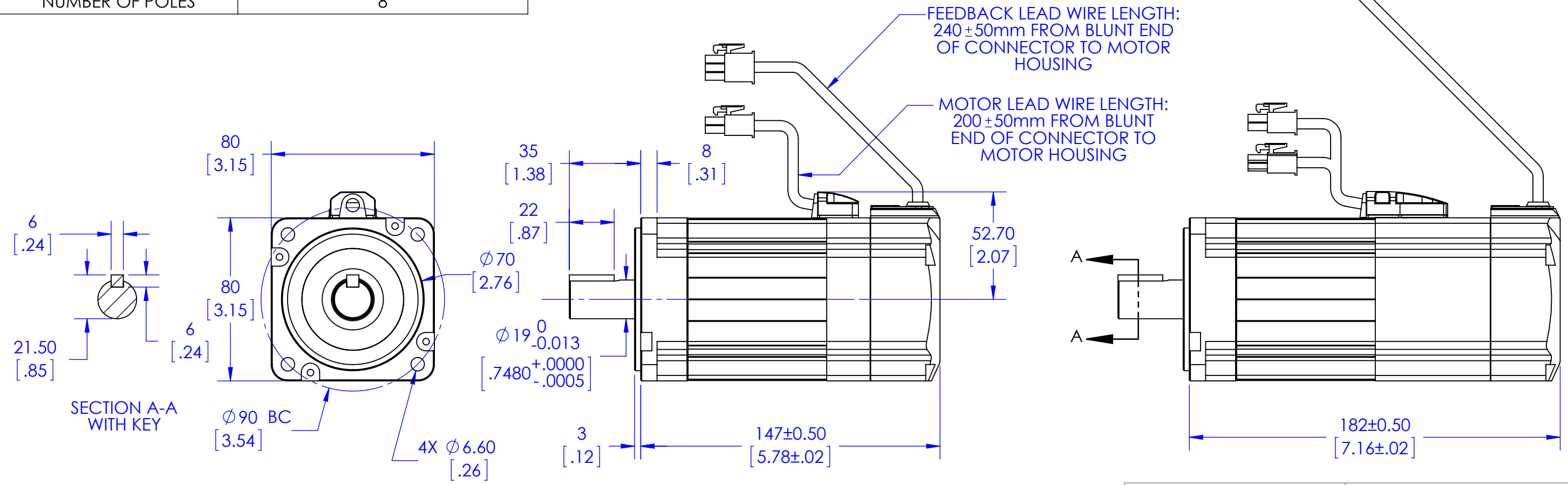
MATING CONNECTOR
CAP: 172159-1
SOCKET: 170362-1
OR: 170366-1

BRAKE CONNECTOR
PLUG: 172165-1
PIN: 170360-1

PIN	SIGNAL
1	BRAKE
2	BRAKE

MATING CONNECTOR
CAP: 172157-1
SOCKET: 170362-1
OR: 170366-1

BRAKE INFORMATION		MOTOR FLANGE SIZE
ITEM	UNIT	80 mm
STATIC FRICTION TORQUE	N m	3.25
ROTOR INERTIA	kg cm ²	0.075
ARMATURE SUCTION TIME	ms	60
ARMATURE RELEASE TIME	ms	15
RELEASE VOLTAGE	DC, V	2 (AT 20°C)
EXCITATION VOLTAGE	DC, V	24 ± 2.4
EXCITATION CURRENT	DC, A	0.43



QUICKMOTION

23011 MOULTON PARKWAY, SUITE J3
LAGUNA HILLS, CA 92653

TITLE: **QS80-A06-xB2**
QS80-A06-xN2

SIZE **B** DWG. NO. **080-0600-01** REV **A**

SCALE: NONE SHEET 1 OF 1