

MOTOR PARAMETERS	ENGLISH UNITS	METRIC UNITS
CONTINUOUS TORQUE	12.30 in lb	1.39 N m
CONTINUOUS CURRENT	4.63 A _{RMS} / 6.55 A _{PK-PK}	
PEAK TORQUE	37.00 in lb	4.18 N m
PEAK CURRENT	13.93 A _{RMS} / 19.70 A _{PK-PK}	
RATED SPEED	3000 RPM / 315 rad/s	
MAX. OPERATING SPEED	4500 RPM / 473 rad/s	
RATED POWER	0.54 HP / 400 W	
BACK EMF CONSTANT (K _c)	22.21 V/kRPM	
TORQUE CONSTANT (K _t)	2.66 in lb / A _{PK}	0.21 N m / A _{PK}
PHASE INDUCTANCE @25°C	2.840 mH	
PHASE RESISTANCE @25°C	0.540 ohms	
INERTIA (WITHOUT BRAKE)	2.12x10 ⁻¹ lb in ²	6.20x10 ⁻¹ kg cm ²
INERTIA (WITH BRAKE)	2.53x10 ⁻¹ lb in ²	7.40x10 ⁻¹ kg cm ²
NUMBER OF POLES	8	

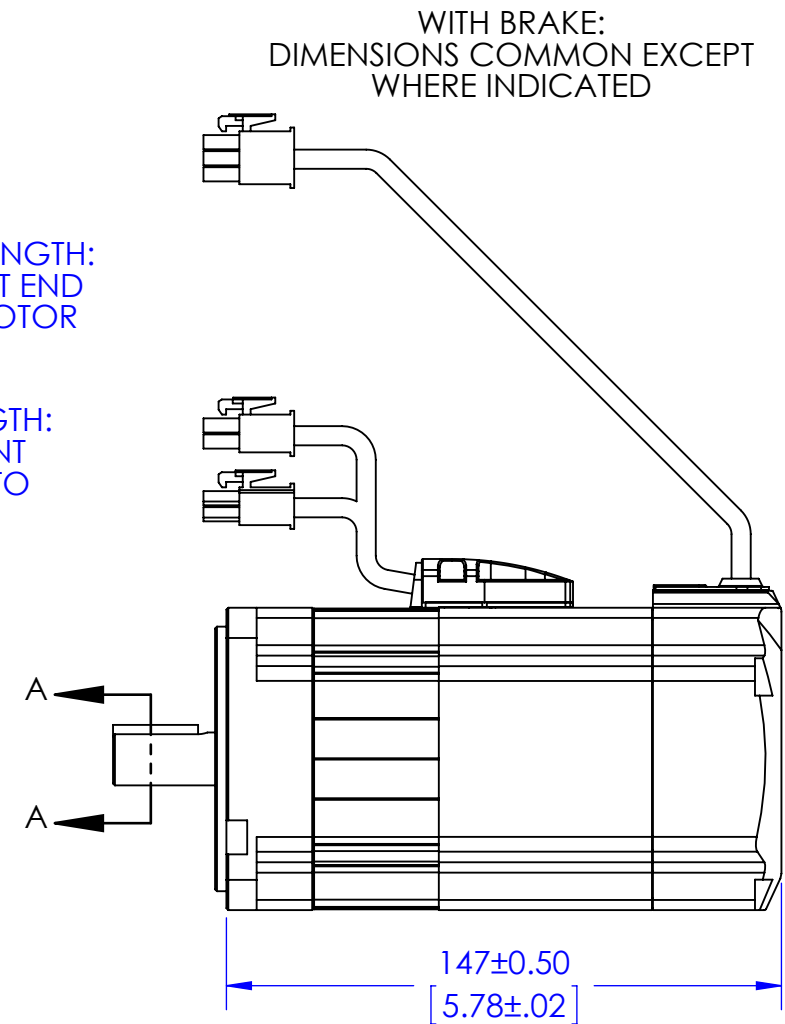
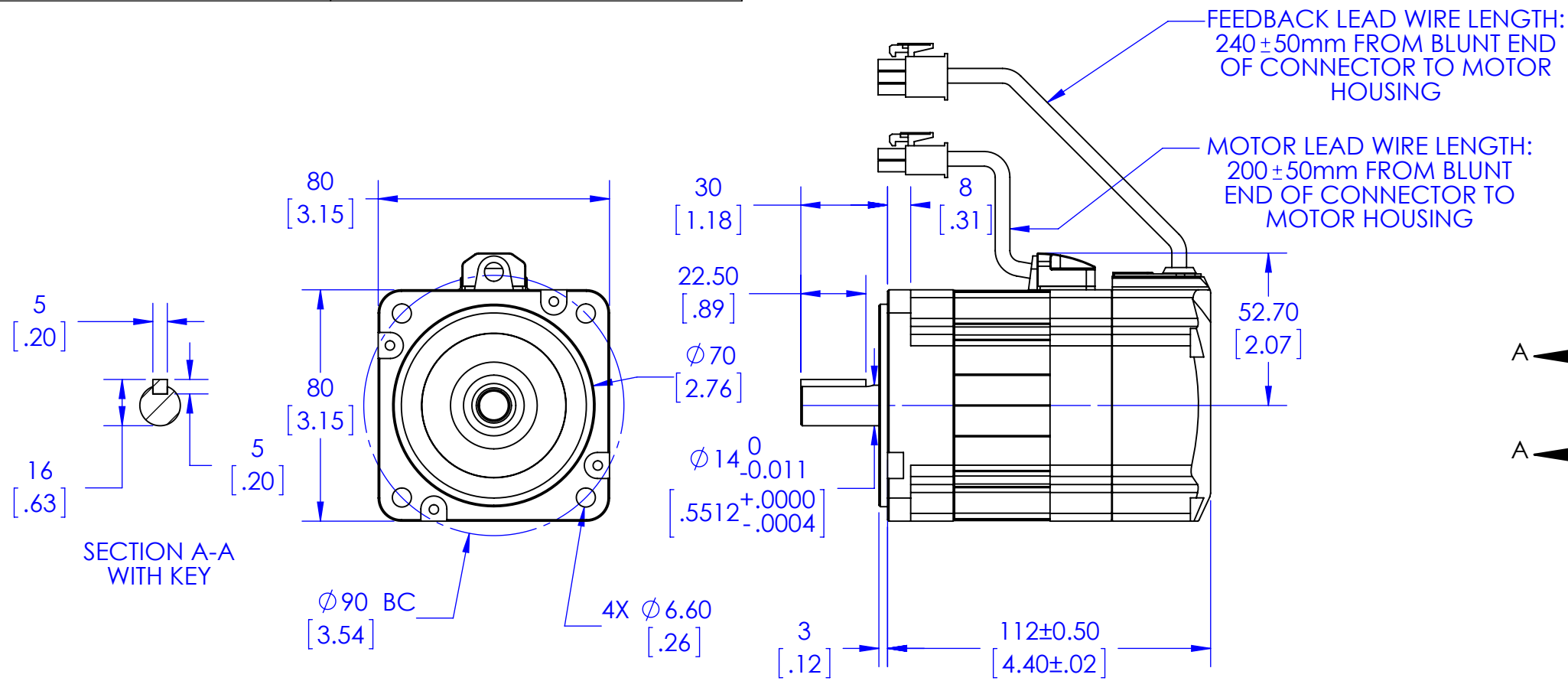
POWER CONNECTOR RECEPTACLE: 172167-1 PIN: 170360-1	
PIN	SIGNAL
1	U
2	V
3	W
4	G

MATING CONNECTOR CAP: 172159-1 SOCKET: 170362-1 OR: 170366-1	
---	--

BRAKE CONNECTOR PLUG: 172165-1 PIN: 170360-1	
PIN	SIGNAL
1	BRAKE
2	BRAKE

MATING CONNECTOR CAP: 172157-1 SOCKET: 170362-1 OR: 170366-1	
---	--

BRAKE INFORMATION		MOTOR FLANGE SIZE
ITEM	UNIT	80 mm
STATIC FRICTION TORQUE	N m	3.25
ROTOR INERTIA	kg cm ²	0.075
ARMATURE SUCTION TIME	ms	60
ARMATURE RELEASE TIME	ms	15
RELEASE VOLTAGE	DC, V	2 (AT 20°C)
EXCITATION VOLTAGE	DC, V	24 ± 2.4
EXCITATION CURRENT	DC, A	0.43



 23011 MOULTON PARKWAY, SUITE J3 LAGUNA HILLS, CA 92653	TITLE: QS80-A04-xB2 QS80-A04-xN2	
	SIZE B	DWG. NO. 080-0400-01
	SCALE: NONE	REV A SHEET 1 OF 1