

MOTOR PARAMETERS	ENGLISH UNITS	METRIC UNITS
CONTINUOUS TORQUE	5.62 in lb	0.635 N m
CONTINUOUS CURRENT	2.63 A <sub>RMS</sub> / 3.72 A <sub>PK-PK</sub>	
PEAK TORQUE	16.82 in lb	1.90 N m
PEAK CURRENT	7.88 A <sub>RMS</sub> / 11.15 A <sub>PK-PK</sub>	
RATED SPEED	3000 RPM / 315 rad/s	
MAX. OPERATING SPEED	5000 RPM / 525 rad/s	
RATED POWER	0.27 HP / 200 W	
BACK EMF CONSTANT (K <sub>c</sub> )	17.77 V/kRPM	
TORQUE CONSTANT (K <sub>t</sub> )	2.39 in lb / A <sub>PK</sub>	0.19 N m / A <sub>PK</sub>
PHASE INDUCTANCE @25°C	4.380 mH	
PHASE RESISTANCE @25°C	0.980 ohms	
INERTIA (WITHOUT BRAKE)	1.23x10 <sup>-1</sup> lb in <sup>2</sup>	3.60x10 <sup>-1</sup> kg cm <sup>2</sup>
INERTIA (WITH BRAKE)	1.67x10 <sup>-1</sup> lb in <sup>2</sup>	4.90x10 <sup>-1</sup> kg cm <sup>2</sup>
NUMBER OF POLES	8	

POWER CONNECTOR RECEPTACLE: 172167-1 PIN: 170360-1	
PIN	SIGNAL
1	U
2	V
3	W
4	G

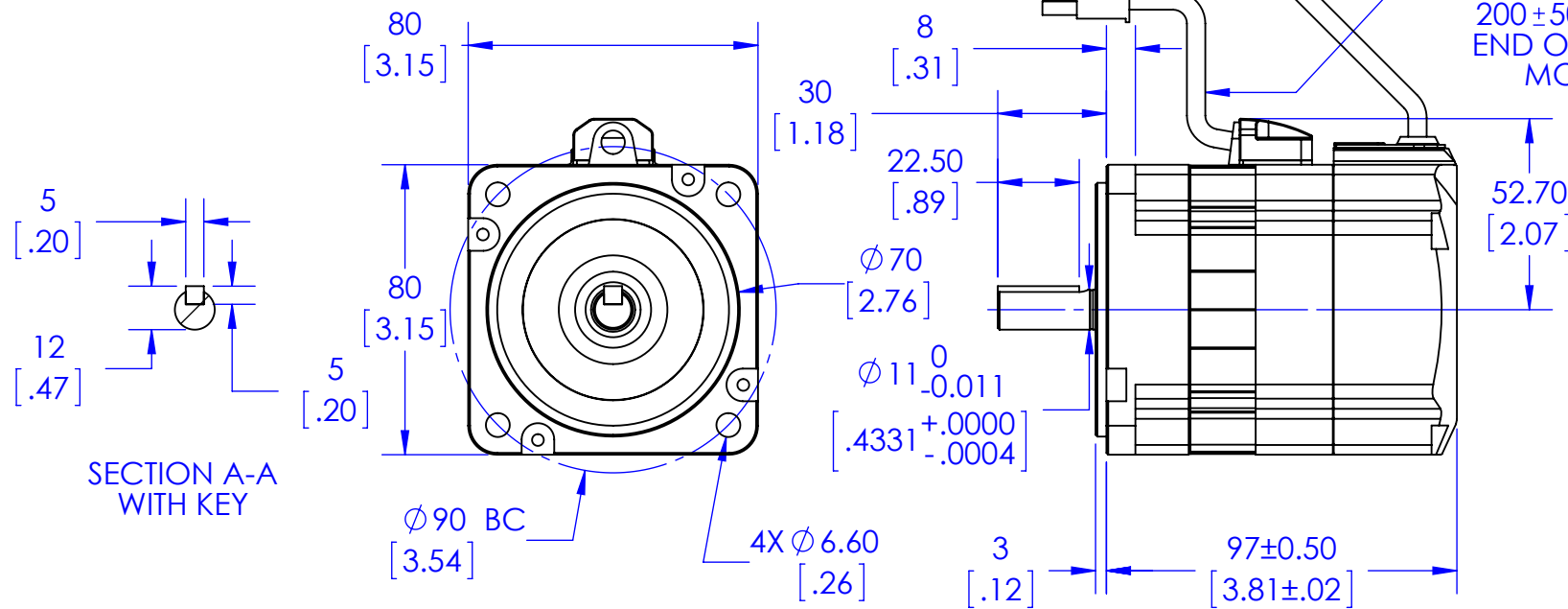
MATING CONNECTOR CAP: 172159-1 SOCKET: 150362-1 OR: 170366-1	
---	--

BRAKE CONNECTOR PLUG: 172165-1 PIN: 170360-1	
PIN	SIGNAL
1	BRAKE
2	BRAKE

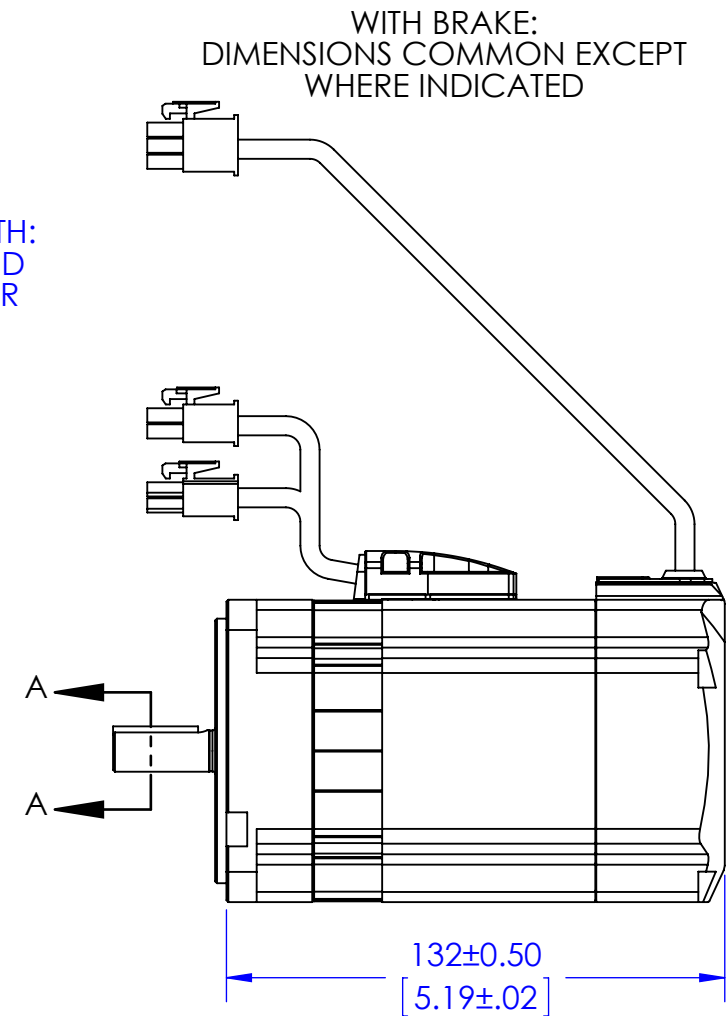
MATING CONNECTOR CAP: 172157-1 SOCKET: 170362-1 OR: 170366-1	
---	--

BRAKE INFORMATION		MOTOR FLANGE SIZE
ITEM	UNIT	80 mm
STATIC FRICTION TORQUE	N m	3.25
ROTOR INERTIA	kg cm <sup>2</sup>	0.075
ARMATURE SUCTION TIME	ms	60
ARMATURE RELEASE TIME	ms	15
RELEASE VOLTAGE	DC, V	2 (AT 20°C)
EXCITATION VOLTAGE	DC, V	24 ± 2.4
EXCITATION CURRENT	DC, A	0.43



FEEDBACK LEAD WIRE LENGTH:  
240 ± 50mm FROM BLUNT END  
OF CONNECTOR TO MOTOR  
HOUSING

MOTOR LEAD WIRE LENGTH:  
200 ± 50mm FROM BLUNT  
END OF CONNECTOR TO  
MOTOR HOUSING



23011 MOULTON PARKWAY, SUITE J3  
LAGUNA HILLS, CA 92653

TITLE: **QS80-A02-xB2**  
**QS80-A02-xN2**

SIZE **B** DWG. NO. **080-0200-01** REV **A**

SCALE: NONE SHEET 1 OF 1