

MOTOR PARAMETERS	ENGLISH UNITS	METRIC UNITS
CONTINUOUS TORQUE	5.66 in lb	0.64 N m
CONTINUOUS CURRENT	6.72 A <sub>rms</sub> / 9.5 A <sub>pk-rc</sub>	
PEAK TORQUE	11.33 in lb	1.28 N m
PEAK CURRENT	13.44 A <sub>pk</sub> / 19.00 A <sub>pk-rc</sub>	
RATED SPEED	3000 RPM / 315 rad/s	
MAX. OPERATING SPEED	3400 RPM / 356 rad/s	
RATED POWER	0.27 HP / 200 W	
BACK EMF CONSTANT (K <sub>e</sub> )	10.47 V/kRPM	
TORQUE CONSTANT (K <sub>t</sub> )	1.77 in lb / A <sub>pk</sub>	0.141 N m / A <sub>pk</sub>
PHASE INDUCTANCE @25 °C	.80 mH	
PHASE RESISTANCE @25°C	.28 ohms	
INERTIA (WITHOUT BRAKE)	6.49x10 <sup>-2</sup> lb in <sup>2</sup>	1.90 x10 <sup>-1</sup> kg cm <sup>2</sup>
INERTIA (WITH BRAKE)	7.18 x10 <sup>-2</sup> lb in <sup>2</sup>	2.10 x10 <sup>-1</sup> kg cm <sup>2</sup>
NUMBER OF POLES	8	

POWER CONNECTOR RECEPTACLE: 172167-1 PIN: 170360-1	
PIN	SIGNAL
1	U
2	V
3	W
4	G

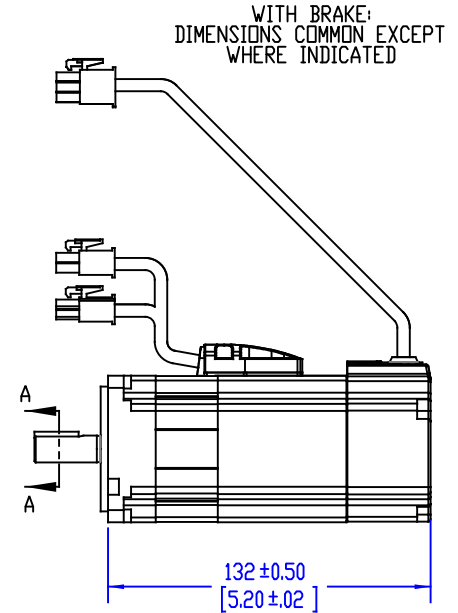
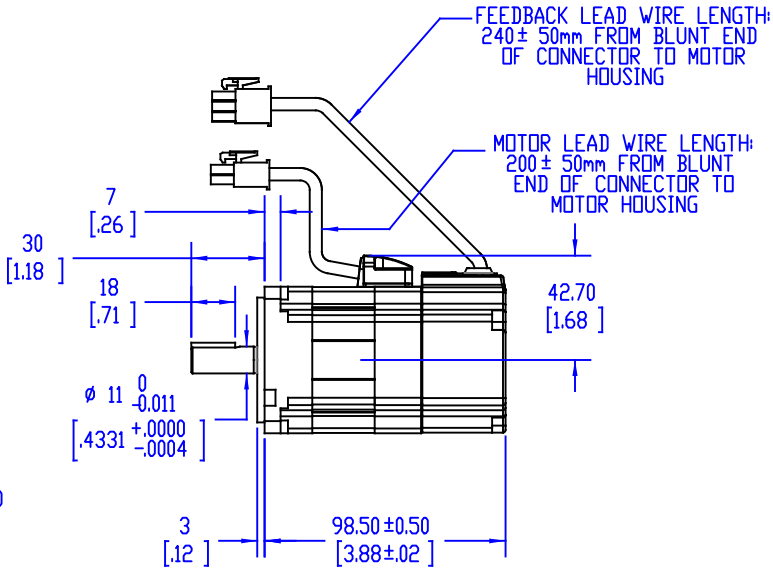
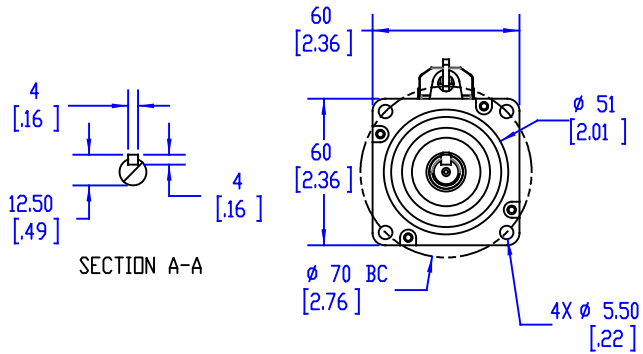
MATING CONNECTOR CAP: 172159-1 SOCKET: 170562-1 OR: 170266-1	
---	--

BRAKE CONNECTOR PLUG: 172165-1 PIN: 170360-1	
PIN	SIGNAL
1	BRAKE
2	BRAKE

MATING CONNECTOR CAP: 172157-1 SOCKET: 170362-1 OR: 170366-1	
---	--

BRAKE INFORMATION		MOTOR FLANGE SIZE
ITEM	UNIT	60 mm
STATIC FRICTION TORQUE	N m	1.69
ROTOR INERTIA	10 <sup>-1</sup> kg cm <sup>2</sup>	0.20
ARMATURE SUCTION TIME	ms	50
ARMATURE RELEASE TIME	ms	15
RELEASE VOLTAGE	DC, V	2 (AT 20°C)
EXCITATION VOLTAGE	DC, V	24 ± 2.4
EXCITATION CURRENT	DC, A	0.36



1930 WATSON WAY, SUITE F  
VISTA, CA 92081

TITLE: QS60-D02-xB2  
QS60-D02-xN2

SIZE DWG. NO. B 060-0200-06 REV A

SCALE: NONE SHEET 1 OF 1