

MOTOR PARAMETERS	ENGLISH UNITS	METRIC UNITS
CONTINUOUS TORQUE	2.83 in lb	0.32 N m
CONTINUOUS CURRENT	3.3 A _{RMS} / 4.66 A _{PK-PK}	
PEAK TORQUE	5.66 in lb	.64 N m
PEAK CURRENT	6.59 A _{RMS} / 9.33 A _{PK-PK}	
RATED SPEED	3000 RPM / 315 rad/s	
MAX. OPERATING SPEED	3400 RPM / 356 rad/s	
RATED POWER	0.13 HP / 100 W	
BACK EMF CONSTANT (K _e)	11.52 V/kRPM	
TORQUE CONSTANT (K _t)	.97 in lb / A _{PK}	0.11 N m / A _{PK}
PHASE INDUCTANCE @25 °C	1.88 mH	
PHASE RESISTANCE @25 °C	.68 ohms	
INERTIA (WITHOUT BRAKE)	3.76x10 ⁻² lb in ²	1.10 x10 ⁻³ kg cm ²
INERTIA (WITH BRAKE)	4.78x10 ⁻² lb in ²	1.40 x10 ⁻³ kg cm ²
NUMBER OF POLES	8	

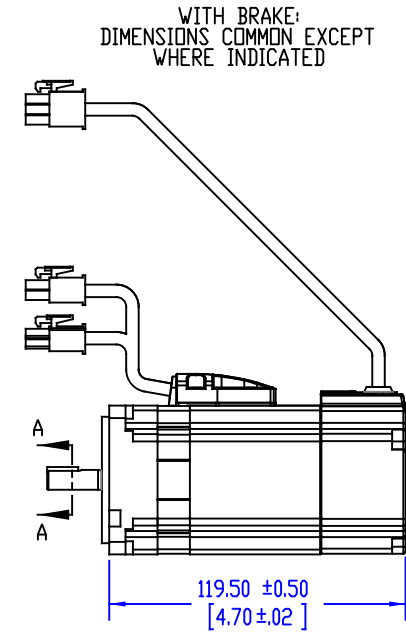
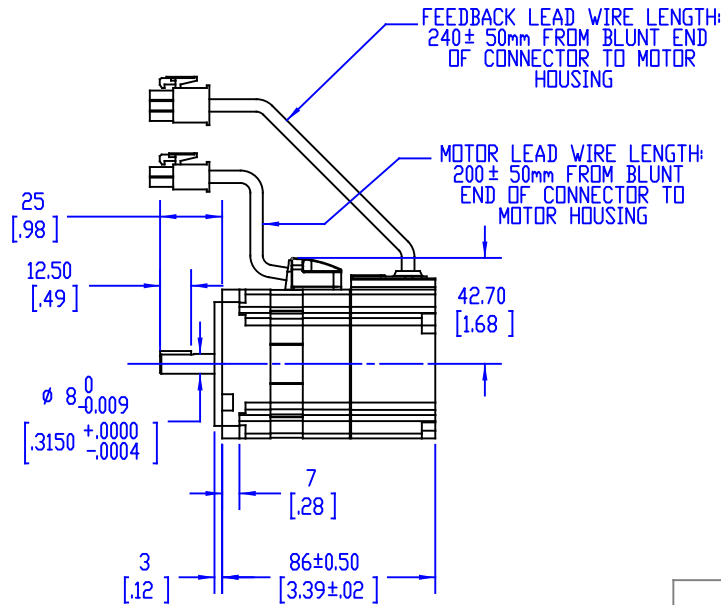
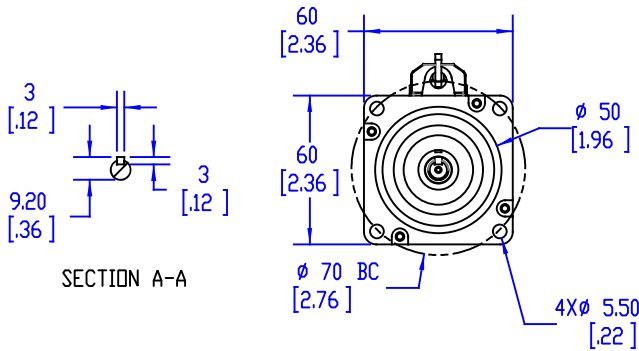
POWER CONNECTOR RECEPTACLE: 172167-1 PIN: 170360-1	
PIN	SIGNAL
1	U
2	V
3	W
4	G

MATING CONNECTOR CAP: 172159-1 SOCKET: 170362-1 DR: 170366-1	
---	--

BRAKE CONNECTOR PLUG: 172165-1 PIN: 170360-1	
PIN	SIGNAL
1	BRAKE
2	BRAKE

MATING CONNECTOR CAP: 172157-1 SOCKET: 170362-1 DR: 170366-1	
---	--

BRAKE INFORMATION		MOTOR FLANGE SIZE
ITEM	UNIT	60 mm
STATIC FRICTION TORQUE	N m	1.69
ROTOR INERTIA	10 ⁻³ kg cm ²	0.20
ARMATURE SUCTION TIME	ms	50
ARMATURE RELEASE TIME	ms	15
RELEASE VOLTAGE	DC, V	2 (AT 20°C)
EXCITATION VOLTAGE	DC, V	24 ± 2.4
EXCITATION CURRENT	DC, A	0.36



1930 WATSON WAY, SUITE F
VISTA, CA 92081

TITLE: QS60-D01-xB2
QS60-D01-xN2

SIZE: DWG. NO. 060-0100-02

SCALE: NONE

REV A

SHEET 1 OF 1

MOTOR PARAMETERS	ENGLISH UNITS	METRIC UNITS
CONTINUOUS TORQUE	2.83 in lb	0.32 N m
CONTINUOUS CURRENT	3.3 A _{rms} / 4.66 A _{PK-PK}	
PEAK TORQUE	5.66 in lb	.64 N m
PEAK CURRENT	6.59 A _{rms} / 9.33 A _{PK-PK}	
RATED SPEED	3000 RPM / 315 rad/s	
MAX. OPERATING SPEED	3400 RPM / 356 rad/s	
RATED POWER	0.13 HP / 100 W	
BACK EMF CONSTANT (K _v)	11.52 V/kRPM	
TORQUE CONSTANT (K _t)	.97 in lb / A _{PK}	0.11 N m / A _{PK}
PHASE INDUCTANCE @25 °C	1.88 mH	
PHASE RESISTANCE @25 °C	.68 ohms	
INERTIA (WITHOUT BRAKE)	3.76x10 ⁻² lb in ²	1.10 x10 ⁻³ kg cm ²
INERTIA (WITH BRAKE)	4.78x10 ⁻² lb in ²	1.40 x10 ⁻³ kg cm ²
NUMBER OF POLES	8	

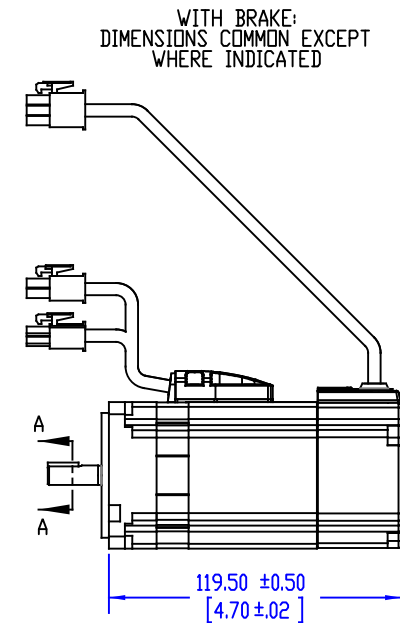
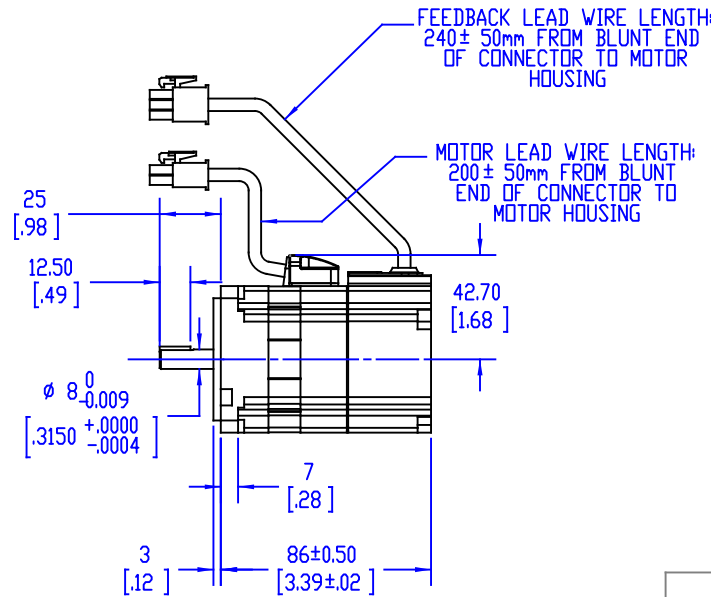
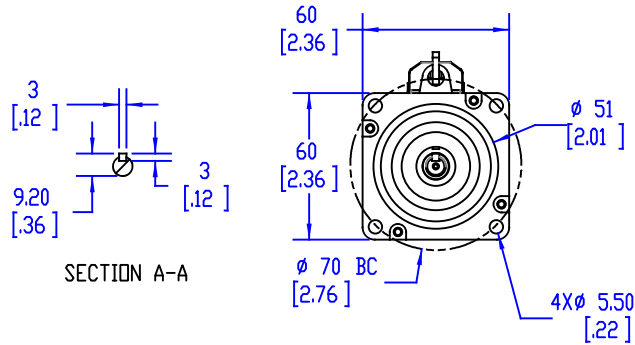
POWER CONNECTOR RECEPTACLE: 172167-1 PIN: 170360-1	
PIN	SIGNAL
1	U
2	V
3	W
4	G

MATING CONNECTOR CAP: 172159-1 SOCKET: 170362-1 OR: 170366-1	
---	--

BRAKE CONNECTOR PLUG: 172165-1 PIN: 170360-1	
PIN	SIGNAL
1	BRAKE
2	BRAKE

MATING CONNECTOR CAP: 172157-1 SOCKET: 170362-1 OR: 170366-1	
---	--

BRAKE INFORMATION		MOTOR FLANGE SIZE
ITEM	UNIT	60 mm
STATIC FRICTION TORQUE	N m	1.69
ROTOR INERTIA	10 ⁻³ kg cm ²	0.20
ARMATURE SUCTION TIME	ms	50
ARMATURE RELEASE TIME	ms	15
RELEASE VOLTAGE	DC, V	2 (AT 20 °C)
EXCITATION VOLTAGE	DC, V	24 ± 2.4
EXCITATION CURRENT	DC, A	0.36



1930 WATSON WAY, SUITE F
VISTA, CA 92081

TITLE: QS60-D01-xB2
QS60-D01-xN2

SIZE	DWG. NO.	REV
B	060-0100-02	A

SCALE: NONE SHEET 1 OF 1