

MOTOR PARAMETERS	ENGLISH UNITS	METRIC UNITS
CONTINUOUS TORQUE	3.19 in lb	0.36 N m
CONTINUOUS CURRENT	1.00 A _{RMS} / 1.41 A _{PK-PK}	
PEAK TORQUE	9.74 in lb	1.10 N m
PEAK CURRENT	3.04 A _{RMS} / 4.30 A _{PK-PK}	
RATED SPEED	3000 RPM / 315 rad/s	
MAX. OPERATING SPEED	5000 RPM / 525 rad/s	
RATED POWER	0.13 HP / 100 W	
BACK EMF CONSTANT (K _c)	26.66 V/kRPM	
TORQUE CONSTANT (K _t)	3.19 in lb / A _{PK}	0.25 N m / A _{PK}
PHASE INDUCTANCE @25°C	10.000 mH	
PHASE RESISTANCE @25°C	11.400 ohms	
INERTIA (WITHOUT BRAKE)	2.02x10 ⁻² lb in ²	5.90x10 ⁻² kg cm ²
INERTIA (WITH BRAKE)	2.08x10 ⁻² lb in ²	6.10x10 ⁻² kg cm ²
NUMBER OF POLES	8	

POWER CONNECTOR RECEPTACLE: 172167-1 PIN: 170360-1	
PIN	SIGNAL
1	U
2	V
3	W
4	G

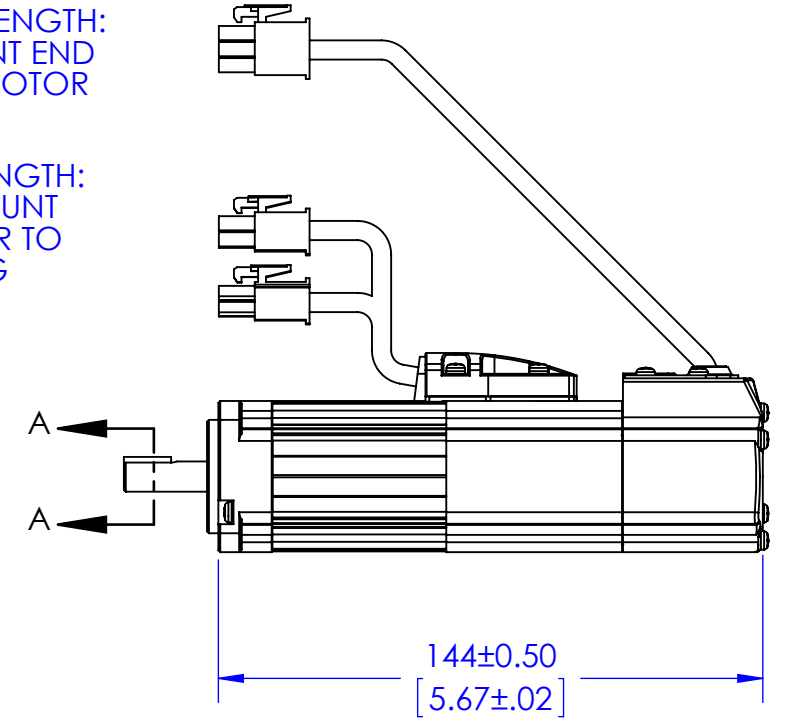
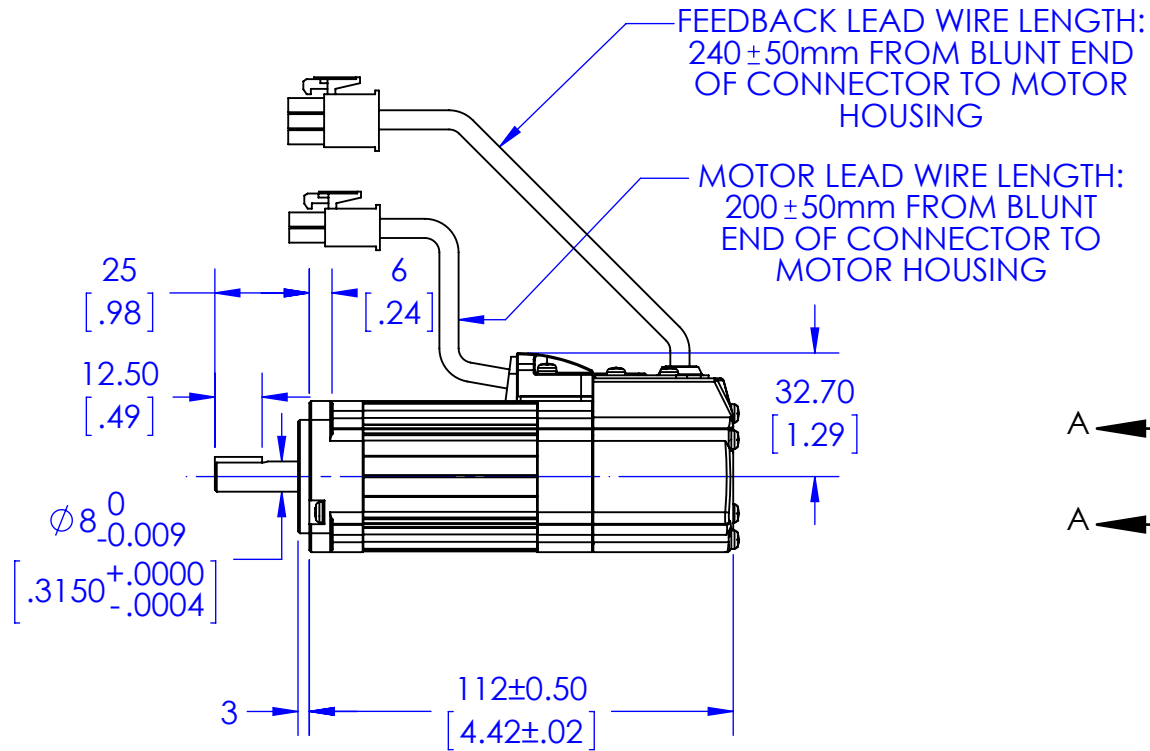
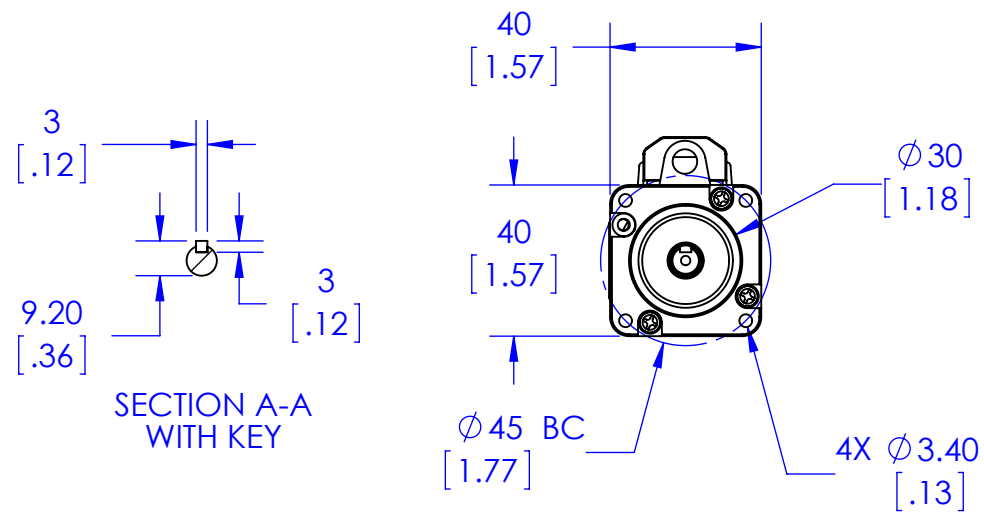
MATING CONNECTOR CAP: 172159-1 SOCKET: 170362-1 OR: 170366-1	
---	--

BRAKE CONNECTOR PLUG: 172165-1 PIN: 170360-1	
PIN	SIGNAL
1	BRAKE
2	BRAKE

MATING CONNECTOR CAP: 172157-1 SOCKET: 170362-1 OR: 170366-1	
---	--

BRAKE INFORMATION		MOTOR FLANGE SIZE
ITEM	UNIT	40 mm
STATIC FRICTION TORQUE	N m	0.39
ROTOR INERTIA	10 ⁻² kg cm ²	0.25
ARMATURE SUCTION TIME	ms	25
ARMATURE RELEASE TIME	ms	20
RELEASE VOLTAGE	DC, V	2 (AT 20°C)
EXCITATION VOLTAGE	DC, V	24 ± 2.4
EXCITATION CURRENT	DC, A	0.26

WITH BRAKE:
DIMENSIONS COMMON EXCEPT
WHERE INDICATED



 23011 MOULTON PARKWAY, SUITE J3 LAGUNA HILLS, CA 92653	TITLE: QS40-B01-xB2 QS40-B01-xN2	
	SIZE B	DWG. NO. 040-0100-02
	SCALE: NONE	REV A

SHEET 1 OF 1