

MOTOR PARAMETERS	ENGLISH UNITS	METRIC UNITS
CONTINUOUS TORQUE	1.50 in lb	0.17 N m
CONTINUOUS CURRENT	1.09 A _{RMS} / 1.54 A _{PK-PK}	
PEAK TORQUE	4.60 in lb	0.52 N m
PEAK CURRENT	3.27 A _{RMS} / 4.62 A _{PK-PK}	
RATED SPEED	3000 RPM / 315 rad/s	
MAX. OPERATING SPEED	5000 RPM / 525 rad/s	
RATED POWER	0.07 HP / 50 W	
BACK EMF CONSTANT (K _c)	11.84 V/kRPM	
TORQUE CONSTANT (K _t)	1.42 in lb / A _{PK}	0.11 N m / A _{PK}
PHASE INDUCTANCE @25°C	5.440 mH	
PHASE RESISTANCE @25°C	8.100 ohms	
INERTIA (WITHOUT BRAKE)	8.20x10 ⁻³ lb in ²	2.40x10 ⁻² kg cm ²
INERTIA (WITH BRAKE)	9.91x10 ⁻³ lb in ²	2.90x10 ⁻² kg cm ²
NUMBER OF POLES	8	

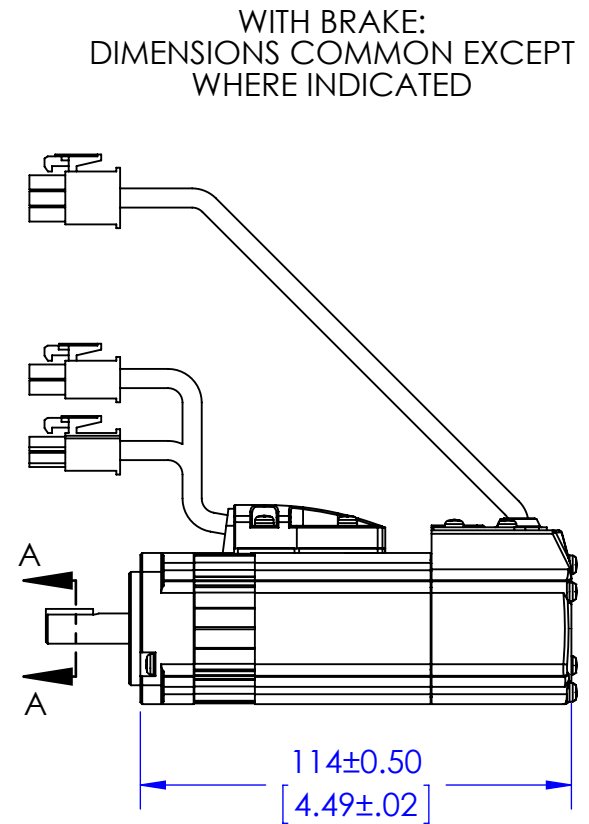
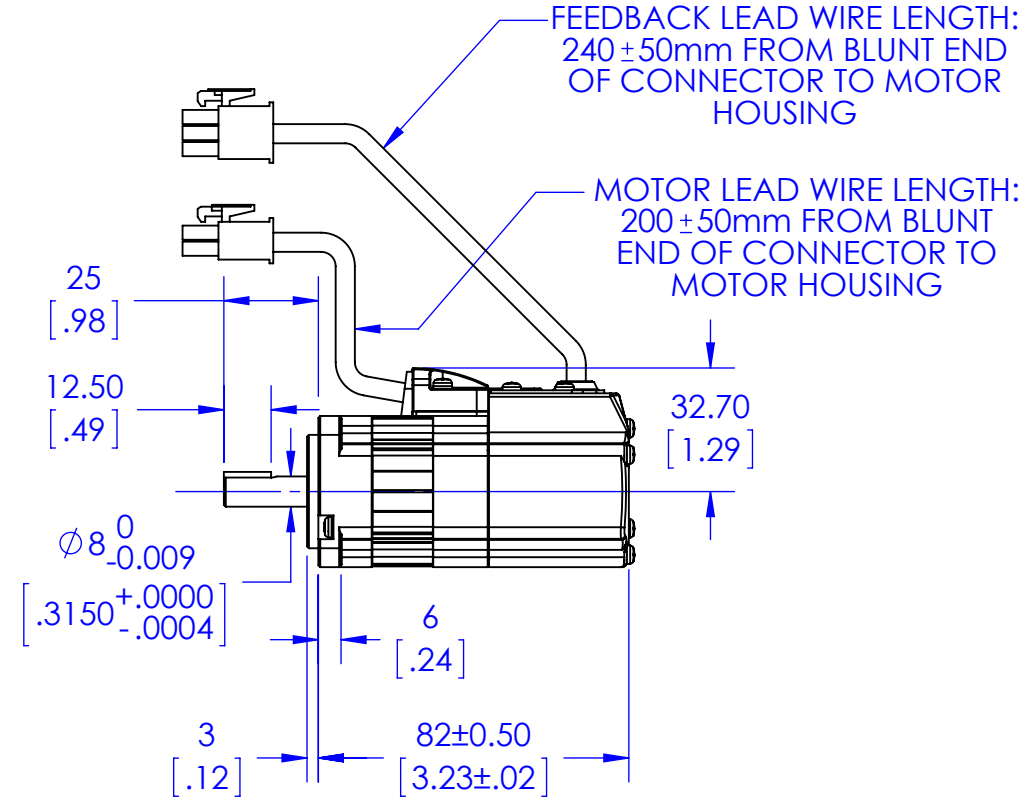
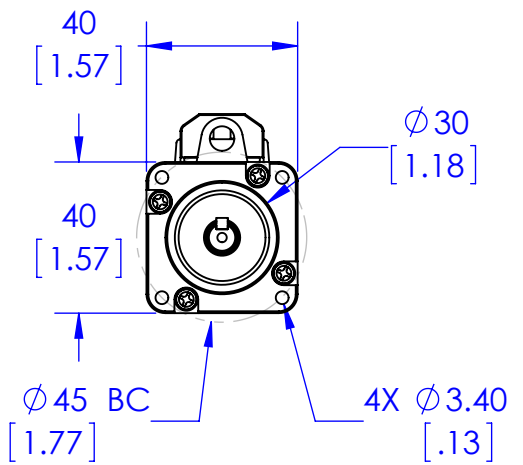
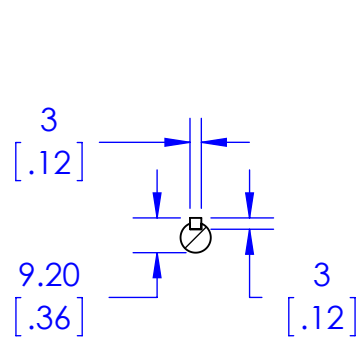
POWER CONNECTOR RECEPTACLE: 172167-1 PIN: 170360-1	
PIN	SIGNAL
1	U
2	V
3	W
4	G

MATING CONNECTOR CAP: 172159-1 SOCKET: 170362-1 OR: 170366-1	
---	--

BRAKE CONNECTOR PLUG: 172165-1 PIN: 170360-1	
PIN	SIGNAL
1	BRAKE
2	BRAKE

MATING CONNECTOR CAP: 172157-1 SOCKET: 170362-1 OR: 170366-1	
---	--

BRAKE INFORMATION		MOTOR FLANGE SIZE
ITEM	UNIT	40 mm
STATIC FRICTION TORQUE	N m	0.39
ROTOR INERTIA	10 ⁻² kg cm ²	0.25
ARMATURE SUCTION TIME	ms	25
ARMATURE RELEASE TIME	ms	20
RELEASE VOLTAGE	DC, V	2 (AT 20°C)
EXCITATION VOLTAGE	DC, V	24 ± 2.4
EXCITATION CURRENT	DC, A	0.26



QUICKMOTION

23011 MOULTON PARKWAY, SUITE J3
LAGUNA HILLS, CA 92653

TITLE: **QS40-AA5-xB2**
QS40-AA5-xN2

SIZE **B** DWG. NO. **040-0050-01** REV **A**

SCALE: NONE SHEET 1 OF 1