

MOTOR PARAMETERS	ENGLISH UNITS	METRIC UNITS
CONTINUOUS TORQUE	140.73 in lb	15.9 N m
CONTINUOUS CURRENT	28.50 A <sub>RMS</sub> / 40.31 A <sub>PK-PK</sub>	
PEAK TORQUE	421.30 in lb	47.60 N m
PEAK CURRENT	84.85 A <sub>RMS</sub> / 120.00 A <sub>PK-PK</sub>	
RATED SPEED	3000 RPM / 315 rad/s	
MAX. OPERATING SPEED	4500 RPM / 473 rad/s	
RATED POWER	6.71 HP / 5000 W	
BACK EMF CONSTANT (K <sub>c</sub> )	42.20 V/kRPM	
TORQUE CONSTANT (K <sub>t</sub> )	5.04 in lb / A <sub>PK</sub>	0.40 N m / A <sub>PK</sub>
PHASE INDUCTANCE @25°C	1.120 mH	
PHASE RESISTANCE @25°C	0.056 ohms	
INERTIA (WITHOUT BRAKE)	5.47 lb in <sup>2</sup>	1.60x10 <sup>1</sup> kg cm <sup>2</sup>
INERTIA (WITH BRAKE)	5.91 lb in <sup>2</sup>	1.73x10 <sup>1</sup> kg cm <sup>2</sup>
NUMBER OF POLES	8	

POWER CONNECTOR BRAKE MOTOR RECEPTACLE: MS3102A 24-11P	
PIN	SIGNAL
A	BR
B	BR
C	/
D	U
E	V
F	W
G	FG
H	FG
I	/

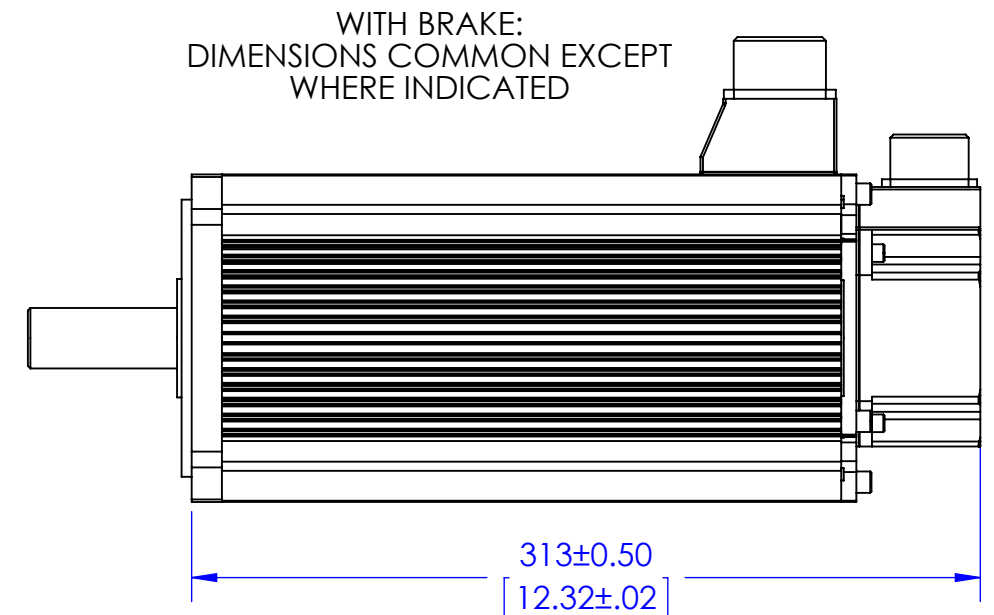
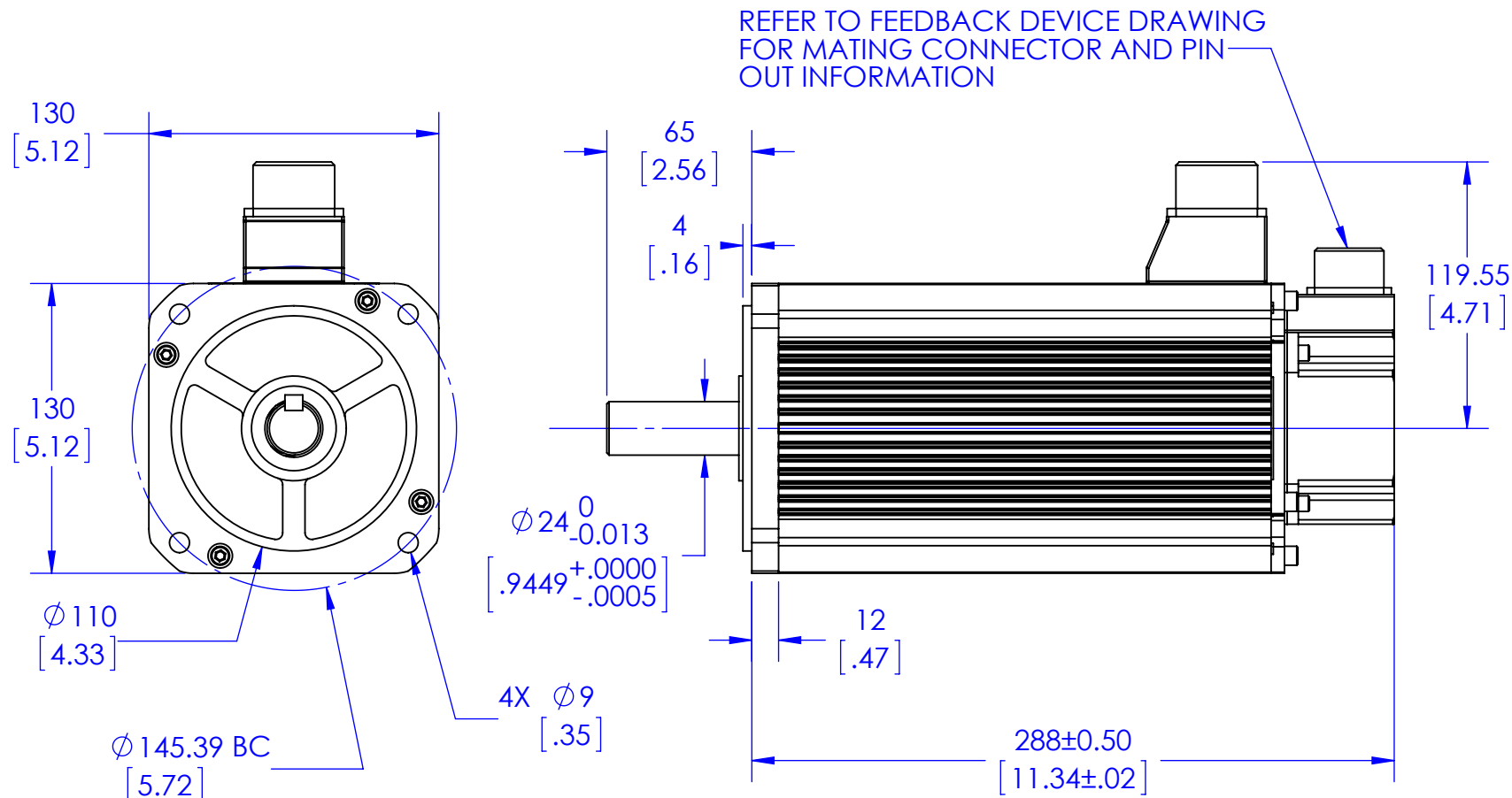
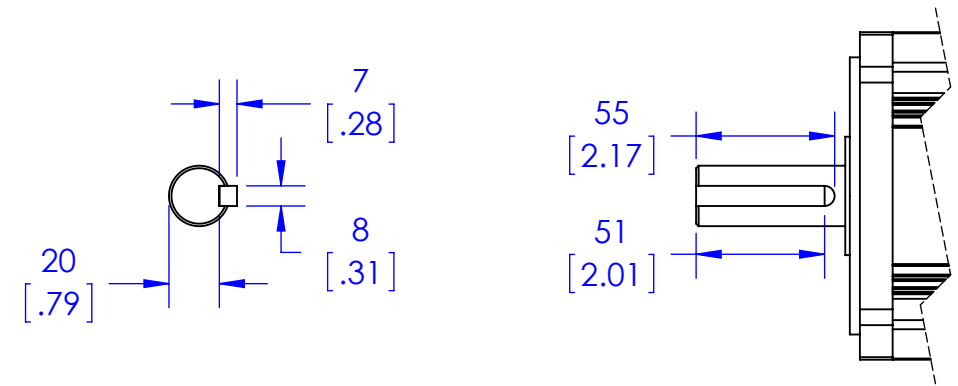
MATING CONNECTOR CAP: MS3106A 24-11P	
---	--

POWER CONNECTOR NON-BRAKE RECEPTACLE: MS3102A 22-22P	
PIN	SIGNAL
A	U
B	V
C	W
D	FG

MATING CONNECTOR CAP: MS3106A 22-22P	
---	--

BRAKE INFORMATION		MOTOR FLANGE SIZE
ITEM	UNIT	130 mm
STATIC FRICTION TORQUE	N m	16.5
ROTOR INERTIA	kg cm <sup>2</sup>	1.2
ARMATURE SUCTION TIME	ms	110
ARMATURE RELEASE TIME	ms	50
RELEASE VOLTAGE	DC, V	2 (AT 20°C)
EXCITATION VOLTAGE	DC, V	24 ± 2.4
EXCITATION CURRENT	DC, A	0.876



 23011 MOULTON PARKWAY, SUITE J3 LAGUNA HILLS, CA 92653	TITLE: <b>QS130-B50-xB2</b> <b>QS130-B50-xN2</b>	
	SIZE <b>B</b>	DWG. NO. <b>130-5000-01</b>
	SCALE: NONE	REV <b>A</b>

SHEET 1 OF 1