

MOTOR PARAMETERS	ENGLISH UNITS	METRIC UNITS
CONTINUOUS TORQUE	126.57 in lb	14.3 N m
CONTINUOUS CURRENT	28.00 A _{RMS} / 39.60 A _{PK-PK}	
PEAK TORQUE	379.70 in lb	42.90 N m
PEAK CURRENT	83.44 A _{RMS} / 118.00 A _{PK-PK}	
RATED SPEED	3000 RPM / 315 rad/s	
MAX. OPERATING SPEED	4500 RPM / 473 rad/s	
RATED POWER	6.03 HP / 4500 W	
BACK EMF CONSTANT (K _c)	39.98 V/kRPM	
TORQUE CONSTANT (K _t)	4.78 in lb / A _{PK}	0.38 N m / A _{PK}
PHASE INDUCTANCE @25°C	1.440 mH	
PHASE RESISTANCE @25°C	0.056 ohms	
INERTIA (WITHOUT BRAKE)	4.65 lb in ²	1.36x10 ¹ kg cm ²
INERTIA (WITH BRAKE)	5.09 lb in ²	1.49x10 ¹ kg cm ²
NUMBER OF POLES	8	

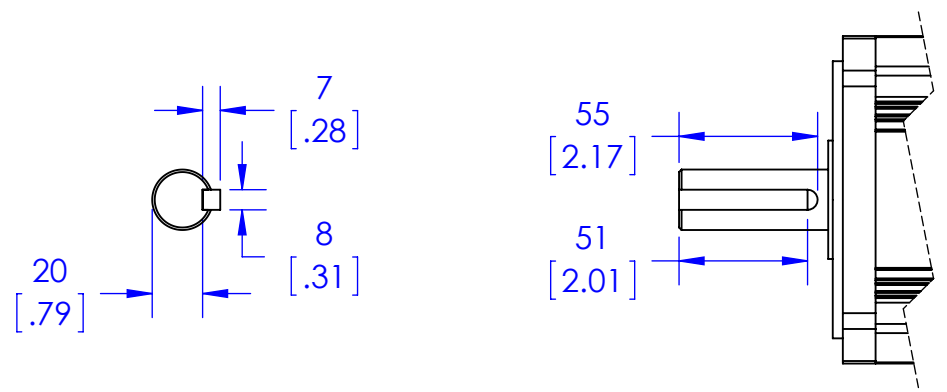
POWER CONNECTOR BRAKE MOTOR RECEPTACLE: MS3102A 24-11P	
PIN	SIGNAL
A	BR
B	BR
C	/
D	U
E	V
F	W
G	FG
H	FG
I	/

MATING CONNECTOR CAP: MS3106A 24-11P	
-----------------------------------------	--

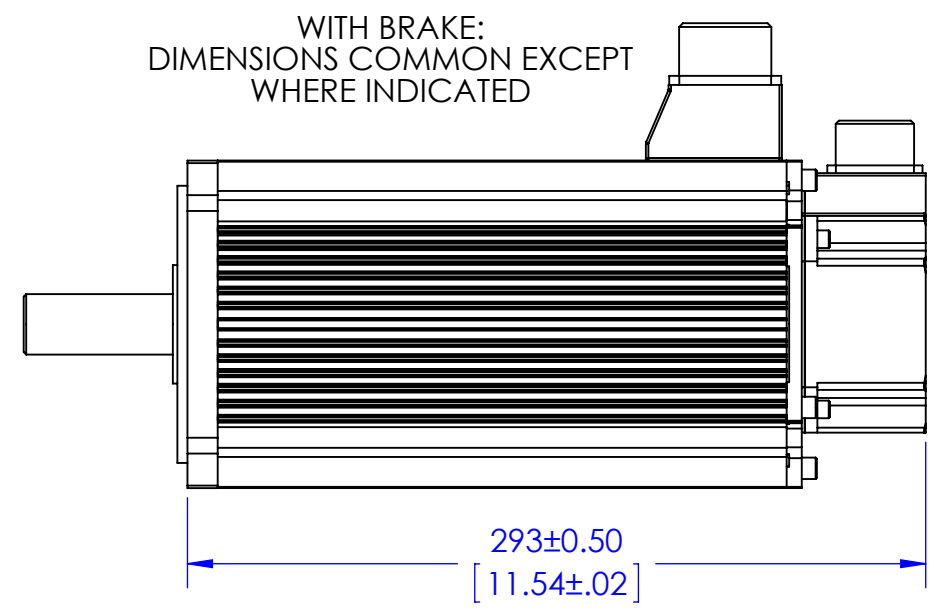
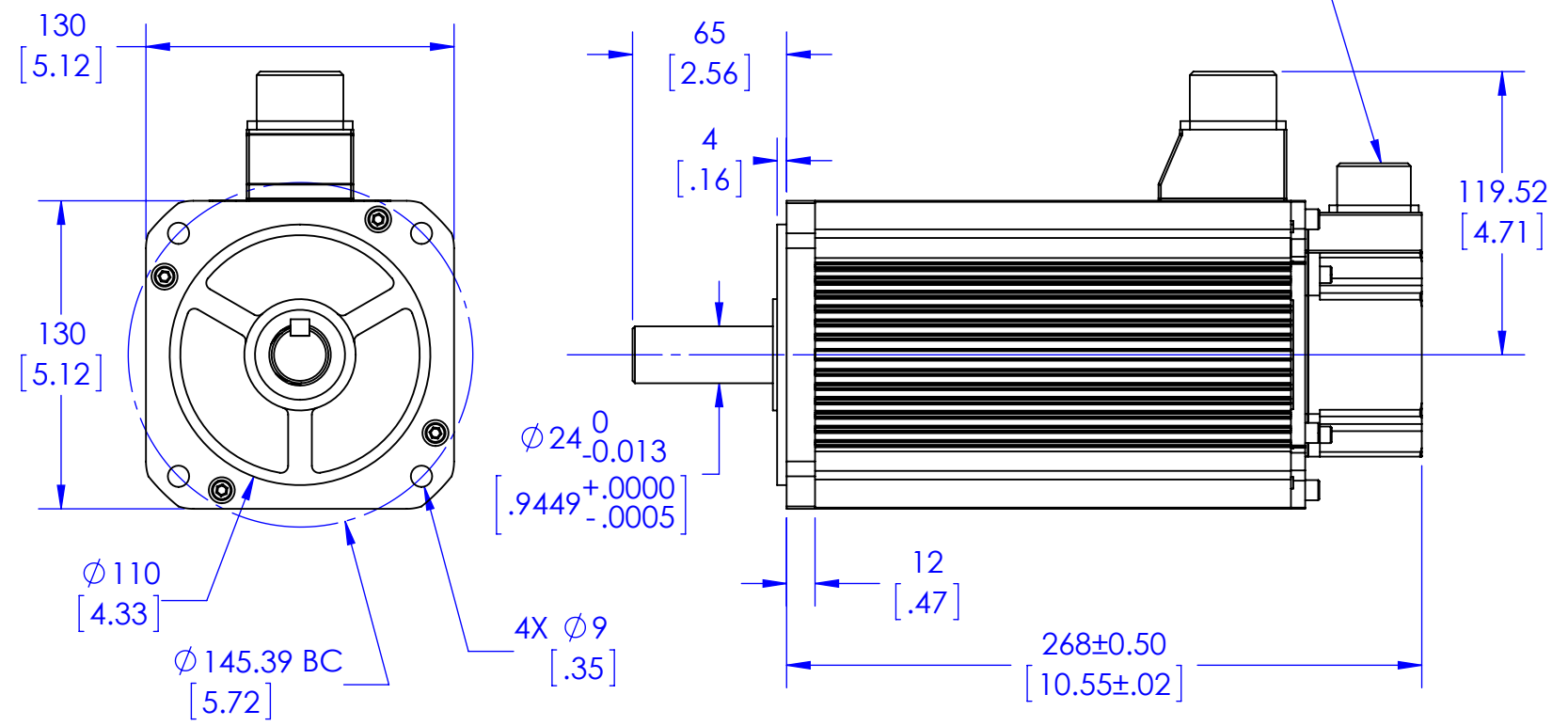
POWER CONNECTOR NON-BRAKE RECEPTACLE: MS3102A 22-22P	
PIN	SIGNAL
A	U
B	V
C	W
D	FG

MATING CONNECTOR CAP: MS3106A 22-22P	
-----------------------------------------	--

BRAKE INFORMATION		MOTOR FLANGE SIZE
ITEM	UNIT	130 mm
STATIC FRICTION TORQUE	N m	16.5
ROTOR INERTIA	kg cm ²	1.2
ARMATURE SUCTION TIME	ms	110
ARMATURE RELEASE TIME	ms	50
RELEASE VOLTAGE	DC, V	2 (AT 20°C)
EXCITATION VOLTAGE	DC, V	24 ± 2.4
EXCITATION CURRENT	DC, A	0.876



REFER TO FEEDBACK DEVICE DRAWING
FOR MATING CONNECTOR AND PIN
OUT INFORMATION



 23011 MOULTON PARKWAY, SUITE J3 LAGUNA HILLS, CA 92653	TITLE: QS130-B45-xB2 QS130-B45-xN2	
	SIZE B	DWG. NO. 130-4500-01
	SCALE: NONE	REV A SHEET 1 OF 1