

MOTOR PARAMETERS	ENGLISH UNITS	METRIC UNITS
CONTINUOUS TORQUE	112.40 in lb	12.7 N m
CONTINUOUS CURRENT	24.70 A _{RMS} / 34.93 A _{PK-PK}	
PEAK TORQUE	335.44 in lb	37.90 N m
PEAK CURRENT	74.25 A _{RMS} / 105.00 A _{PK-PK}	
RATED SPEED	3000 RPM / 315 rad/s	
MAX. OPERATING SPEED	4500 RPM / 473 rad/s	
RATED POWER	5.36 HP / 4000 W	
BACK EMF CONSTANT (K _c)	37.76 V/kRPM	
TORQUE CONSTANT (K _t)	4.51 in lb / A _{PK}	0.36 N m / A _{PK}
PHASE INDUCTANCE @25°C	1.400 mH	
PHASE RESISTANCE @25°C	0.070 ohms	
INERTIA (WITHOUT BRAKE)	4.24 lb in ²	1.24x10 ¹ kg cm ²
INERTIA (WITH BRAKE)	4.68 lb in ²	1.37x10 ¹ kg cm ²
NUMBER OF POLES	8	

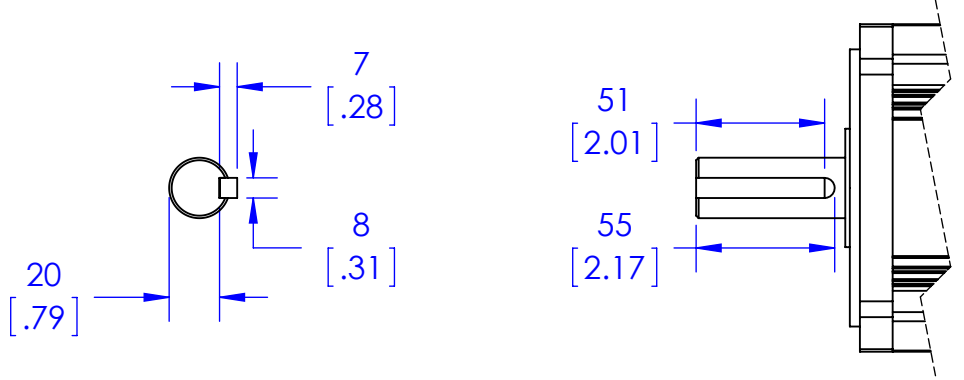
POWER CONNECTOR BRAKE MOTOR RECEPTACLE: MS3102A 24-11P	
PIN	SIGNAL
A	BR
B	BR
C	/
D	U
E	V
F	W
G	FG
H	FG
I	/

MATING CONNECTOR CAP: MS3106A 24-11P	
---	--

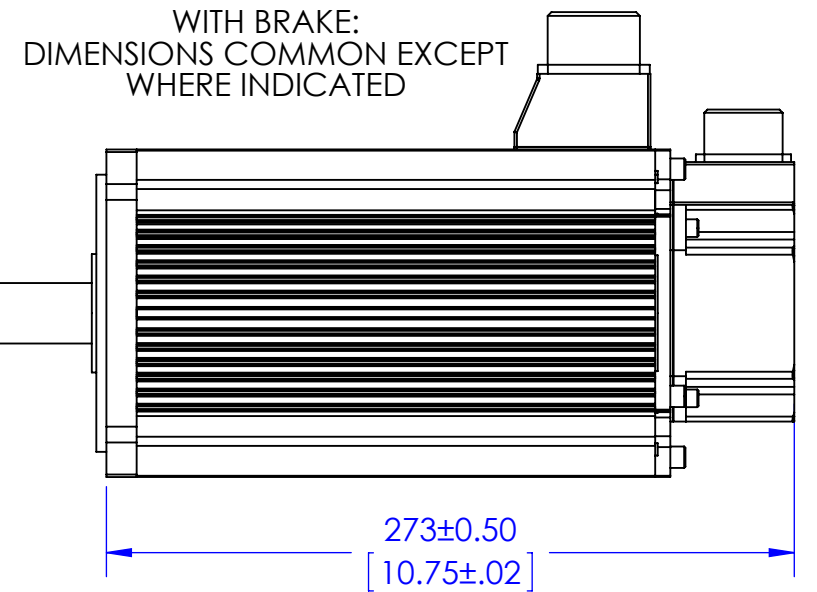
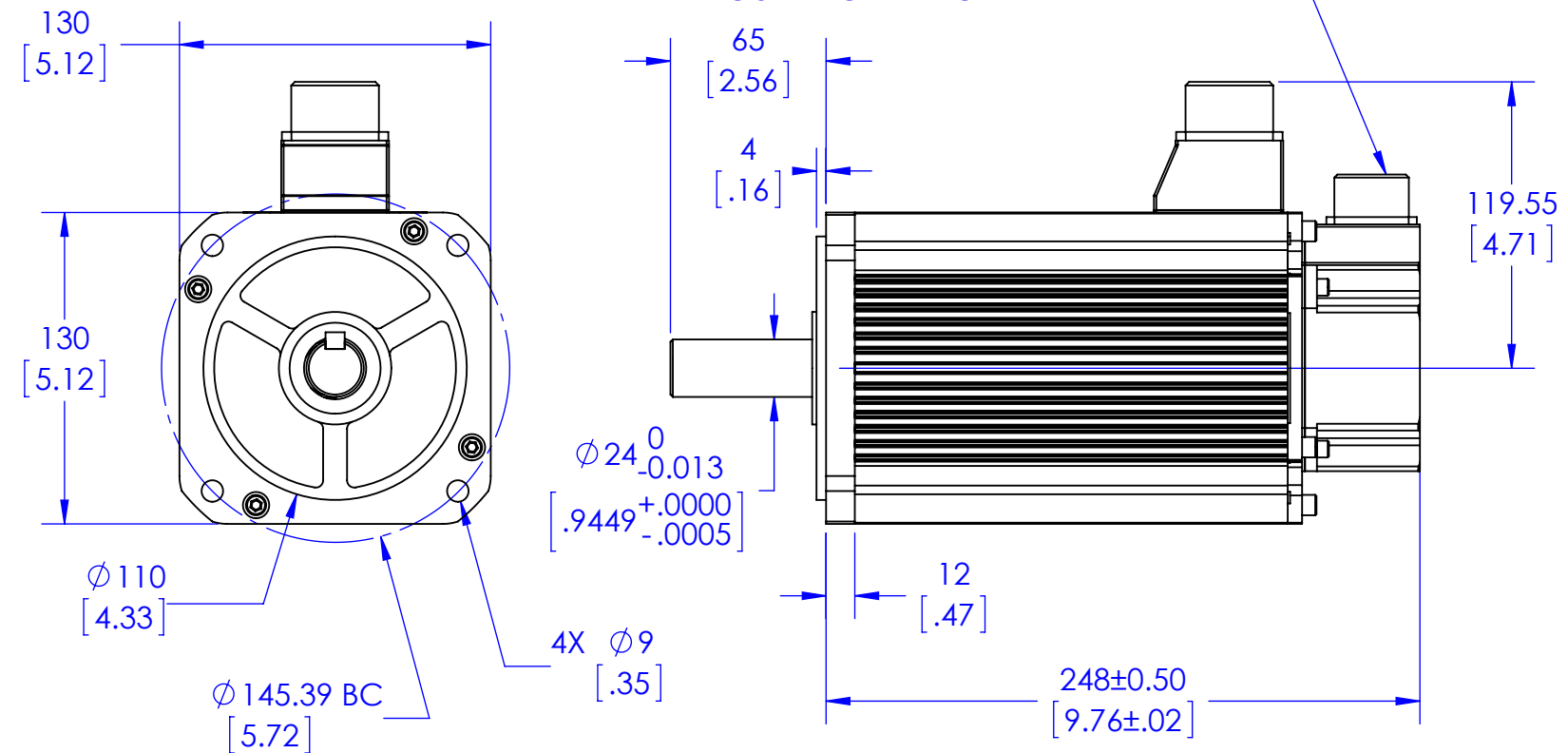
POWER CONNECTOR NON-BRAKE RECEPTACLE: MS3102A 22-22P	
PIN	SIGNAL
A	U
B	V
C	W
D	FG

MATING CONNECTOR CAP: MS3106A 22-22P	
---	--

BRAKE INFORMATION		MOTOR FLANGE SIZE
ITEM	UNIT	130 mm
STATIC FRICTION TORQUE	N m	16.5
ROTOR INERTIA	kg cm ²	1.2
ARMATURE SUCTION TIME	ms	110
ARMATURE RELEASE TIME	ms	50
RELEASE VOLTAGE	DC, V	2 (AT 20°C)
EXCITATION VOLTAGE	DC, V	24 ± 2.4
EXCITATION CURRENT	DC, A	0.876



REFER TO FEEDBACK DEVICE DRAWING
FOR MATING CONNECTOR AND PIN
OUT INFORMATION



23011 MOULTON PARKWAY, SUITE J3
LAGUNA HILLS, CA 92653

TITLE:	QS130-B40-xB2 QS130-B40-xN2	
SIZE	DWG. NO.	REV
B	130-4000-01	A
SCALE: NONE	SHEET 1 OF 1	