

MOTOR PARAMETERS	ENGLISH UNITS	METRIC UNITS
CONTINUOUS TORQUE	98.60 in lb	11.14 N m
CONTINUOUS CURRENT	21.60 A <sub>RMS</sub> / 30.55 A <sub>PK-PK</sub>	
PEAK TORQUE	294.73 in lb	33.30 N m
PEAK CURRENT	60.99 A <sub>RMS</sub> / 86.25 A <sub>PK-PK</sub>	
RATED SPEED	3000 RPM / 315 rad/s	
MAX. OPERATING SPEED	5000 RPM / 525 rad/s	
RATED POWER	4.69 HP / 3500 W	
BACK EMF CONSTANT (K <sub>c</sub> )	41.47 V/kRPM	
TORQUE CONSTANT (K <sub>t</sub> )	4.96 in lb / A <sub>PK</sub>	0.40 N m / A <sub>PK</sub>
PHASE INDUCTANCE @25°C	2.020 mH	
PHASE RESISTANCE @25°C	0.100 ohms	
INERTIA (WITHOUT BRAKE)	2.37 lb in <sup>2</sup>	6.93 kg cm <sup>2</sup>
INERTIA (WITH BRAKE)	2.52 lb in <sup>2</sup>	7.38 kg cm <sup>2</sup>
NUMBER OF POLES	8	

POWER CONNECTOR BRAKE MOTOR RECEPTACLE: MS3102A 24-11P	
PIN	SIGNAL
A	BR
B	BR
C	/
D	U
E	V
F	W
G	FG
H	FG
I	/

MATING CONNECTOR CAP: MS3106A 24-11P	
---	--

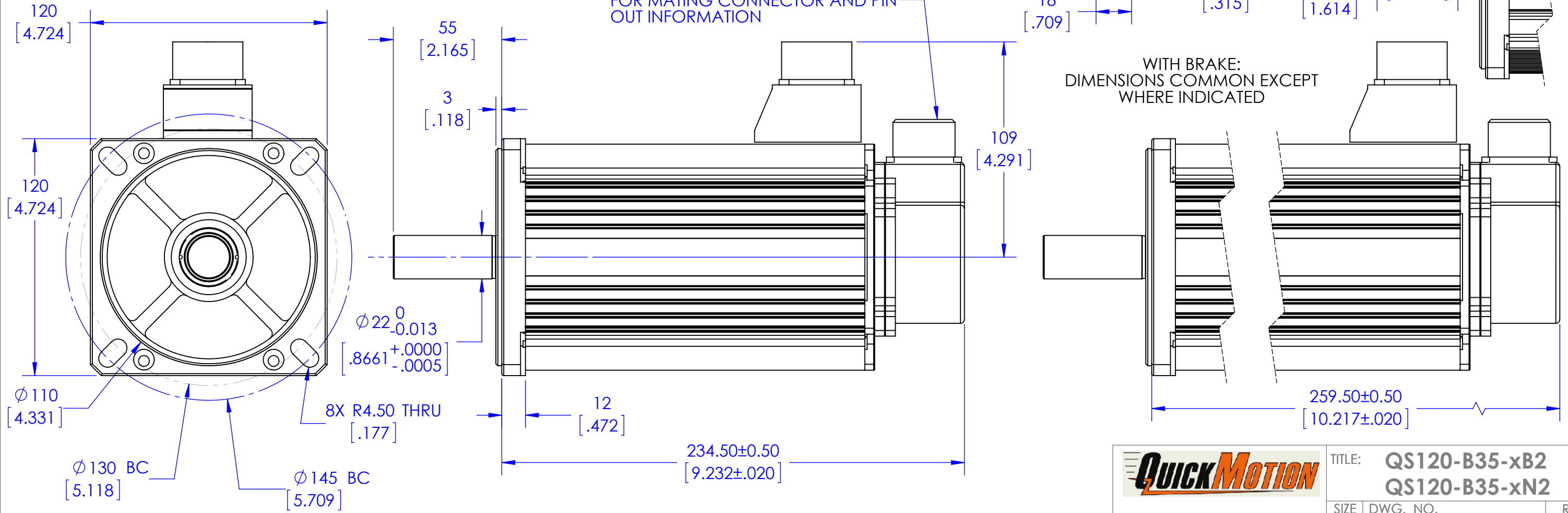
POWER CONNECTOR NON-BRAKE RECEPTACLE: MS3102A 22-22P	
PIN	SIGNAL
A	U
B	V
C	W
D	FG

MATING CONNECTOR CAP: MS3106A 22-22P	
---	--

BRAKE INFORMATION		MOTOR FLANGE SIZE
ITEM	UNIT	120 mm
STATIC FRICTION TORQUE	N m	12
ROTOR INERTIA	kg cm <sup>2</sup>	0.45
ARMATURE SUCTION TIME	ms	100
ARMATURE RELEASE TIME	ms	20
RELEASE VOLTAGE	DC, V	2 (AT 20°C)
EXCITATION VOLTAGE	DC, V	24 ± 2.4
EXCITATION CURRENT	DC, A	0.83

REFER TO FEEDBACK DEVICE DRAWING  
FOR MATING CONNECTOR AND PIN  
OUT INFORMATION



**QUICKMOTION**

23011 MOULTON PARKWAY, SUITE J3  
LAGUNA HILLS, CA 92653

TITLE: **QS120-B35-xB2**  
**QS120-B35-xN2**

SIZE **B** DWG. NO. **120-3500-01** REV **A**

SCALE: NONE SHEET 1 OF 1