

MOTOR PARAMETERS	ENGLISH UNITS	METRIC UNITS
CONTINUOUS TORQUE	84.44 in lb	9.54 N m
CONTINUOUS CURRENT	20.00 A _{RMS} / 28.30 A _{PK-PK}	
PEAK TORQUE	253.04 in lb	28.59 N m
PEAK CURRENT	56.29 A _{RMS} / 79.60 A _{PK-PK}	
RATED SPEED	3000 RPM / 315 rad/s	
MAX. OPERATING SPEED	5000 RPM / 525 rad/s	
RATED POWER	4.02 HP / 3000 W	
BACK EMF CONSTANT (K _c)	39.25 V/kRPM	
TORQUE CONSTANT (K _t)	4.69 in lb / A _{PK}	0.37 N m / A _{PK}
PHASE INDUCTANCE @25°C	1.830 mH	
PHASE RESISTANCE @25°C	0.112 ohms	
INERTIA (WITHOUT BRAKE)	2.05 lb in ²	5.99 kg cm ²
INERTIA (WITH BRAKE)	2.20 lb in ²	6.44 kg cm ²
NUMBER OF POLES	8	

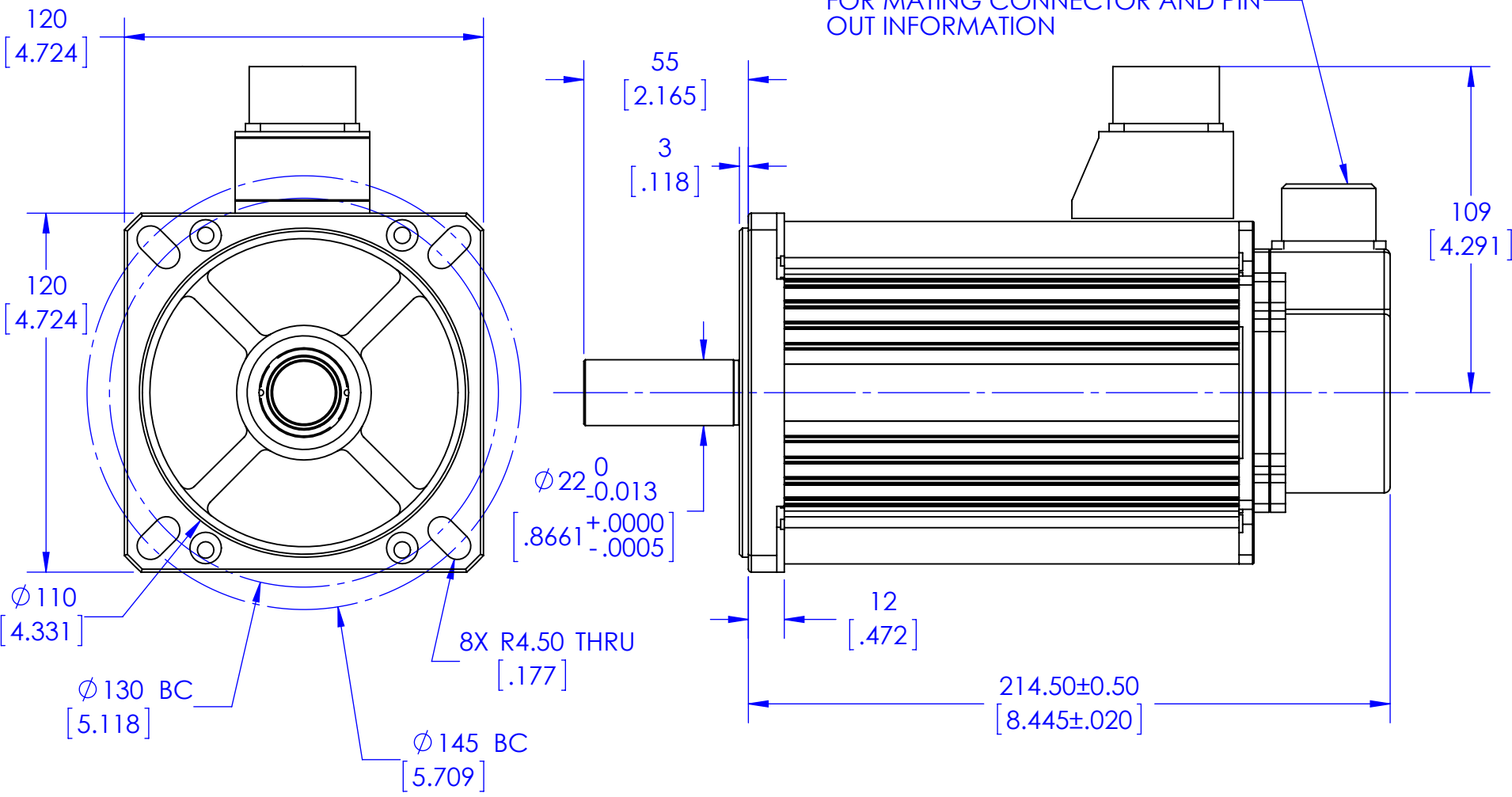
POWER CONNECTOR BRAKE MOTOR RECEPTACLE: MS3106A 24-11P	
PIN	SIGNAL
A	BR
B	BR
C	/
D	U
E	V
F	W
G	FG
H	FG
I	/

MATING CONNECTOR
CAP: MS3106A 24-11P

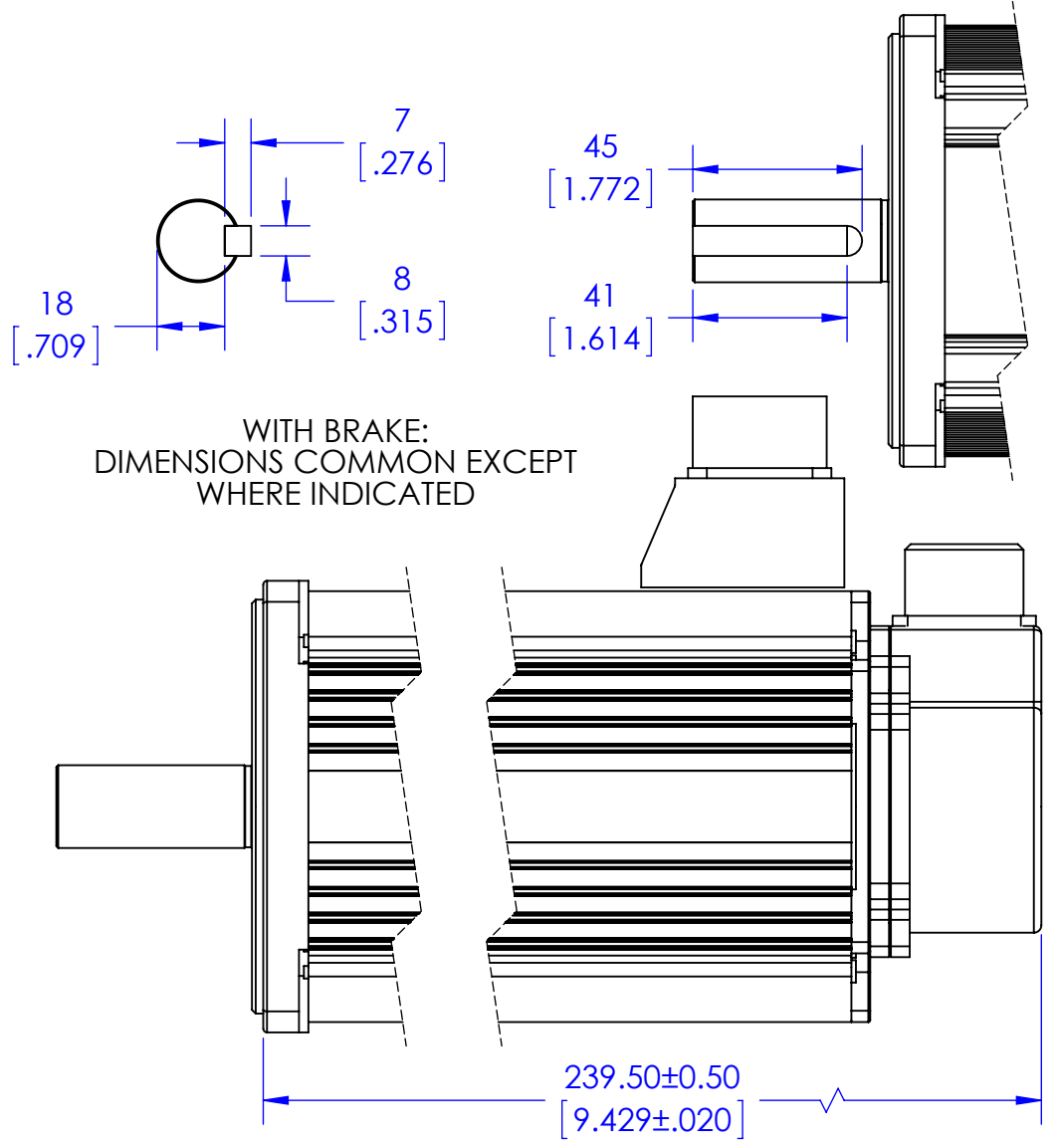
POWER CONNECTOR NON-BRAKE RECEPTACLE: MS3102A 22-22P	
PIN	SIGNAL
A	U
B	V
C	W
D	FG

MATING CONNECTOR
CAP: MS3102A 22-22P

BRAKE INFORMATION		MOTOR FLANGE SIZE
ITEM	UNIT	120 mm
STATIC FRICTION TORQUE	N m	12
ROTOR INERTIA	kg cm ²	0.45
ARMATURE SUCTION TIME	ms	100
ARMATURE RELEASE TIME	ms	20
RELEASE VOLTAGE	DC, V	2 (AT 20°C)
EXCITATION VOLTAGE	DC, V	24 ± 2.4
EXCITATION CURRENT	DC, A	0.83



REFER TO FEEDBACK DEVICE DRAWING FOR MATING CONNECTOR AND PIN OUT INFORMATION



WITH BRAKE:
DIMENSIONS COMMON EXCEPT
WHERE INDICATED

QUICKMOTION
23011 MOULTON PARKWAY, SUITE J3
LAGUNA HILLS, CA 92653

TITLE: **QS120-B30-xB2**
QS120-B30-xN2

SIZE **B** DWG. NO. **120-3000-01** REV **A**

SCALE: NONE SHEET 1 OF 1