

MOTOR PARAMETERS	ENGLISH UNITS	METRIC UNITS
CONTINUOUS TORQUE	70.45 in lb	7.96 N m
CONTINUOUS CURRENT	15.90 A _{RMS} / 22.49 A _{PK-PK}	
PEAK TORQUE	210.65 in lb	23.80 N m
PEAK CURRENT	48.08 A _{RMS} / 68.00 A _{PK-PK}	
RATED SPEED	3000 RPM / 315 rad/s	
MAX. OPERATING SPEED	5000 RPM / 525 rad/s	
RATED POWER	3.35 HP / 2500 W	
BACK EMF CONSTANT (K _c)	37.03 V/kRPM	
TORQUE CONSTANT (K _t)	4.43 in lb / A _{PK}	0.35 N m / A _{PK}
PHASE INDUCTANCE @25°C	2.220 mH	
PHASE RESISTANCE @25°C	0.200 ohms	
INERTIA (WITHOUT BRAKE)	1.29 lb in ²	3.78 kg cm ²
INERTIA (WITH BRAKE)	1.45 lb in ²	4.23 kg cm ²
NUMBER OF POLES	8	

POWER CONNECTOR BRAKE MOTOR RECEPTACLE: MS3102A 20-4P	
PIN	SIGNAL
A	/
B	W
C	/
D	FG
E	FG
F	U
G	BR
H	BR
I	V

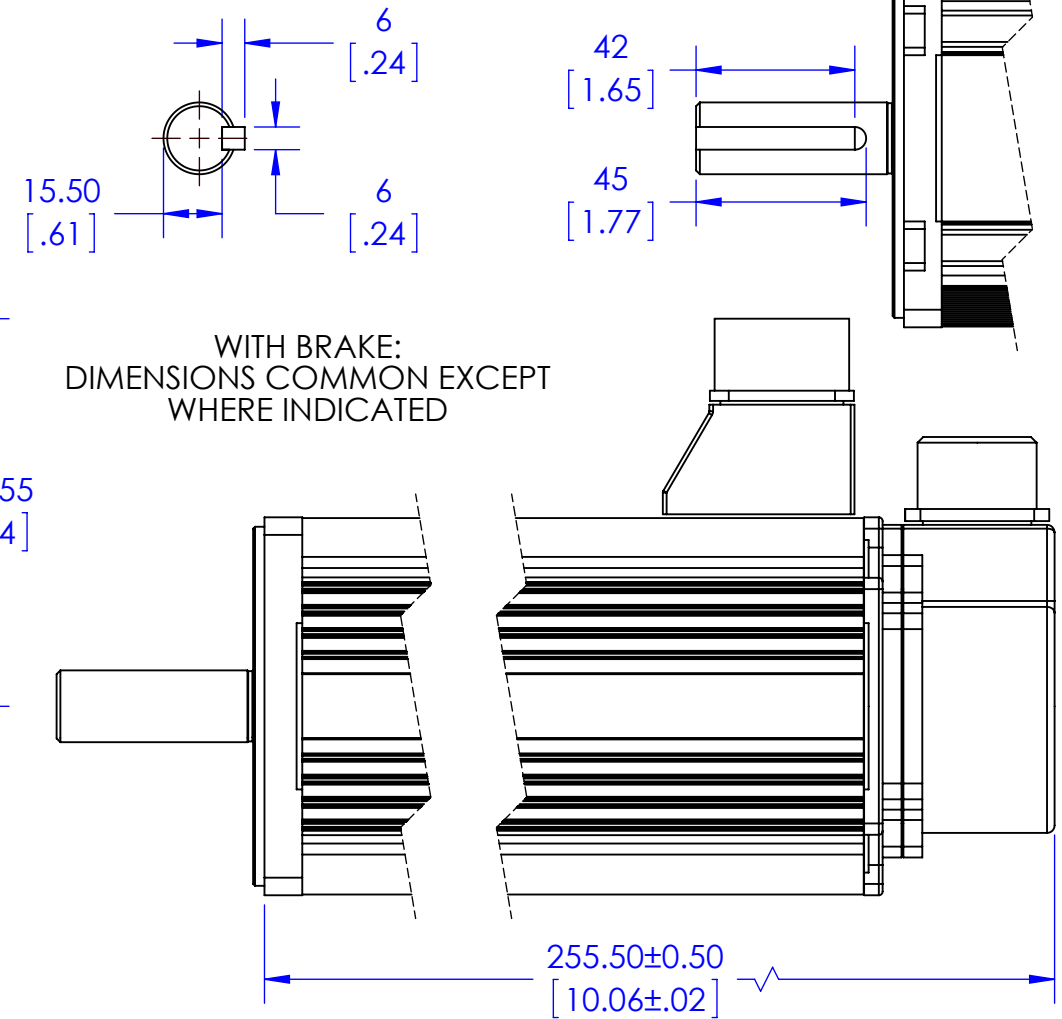
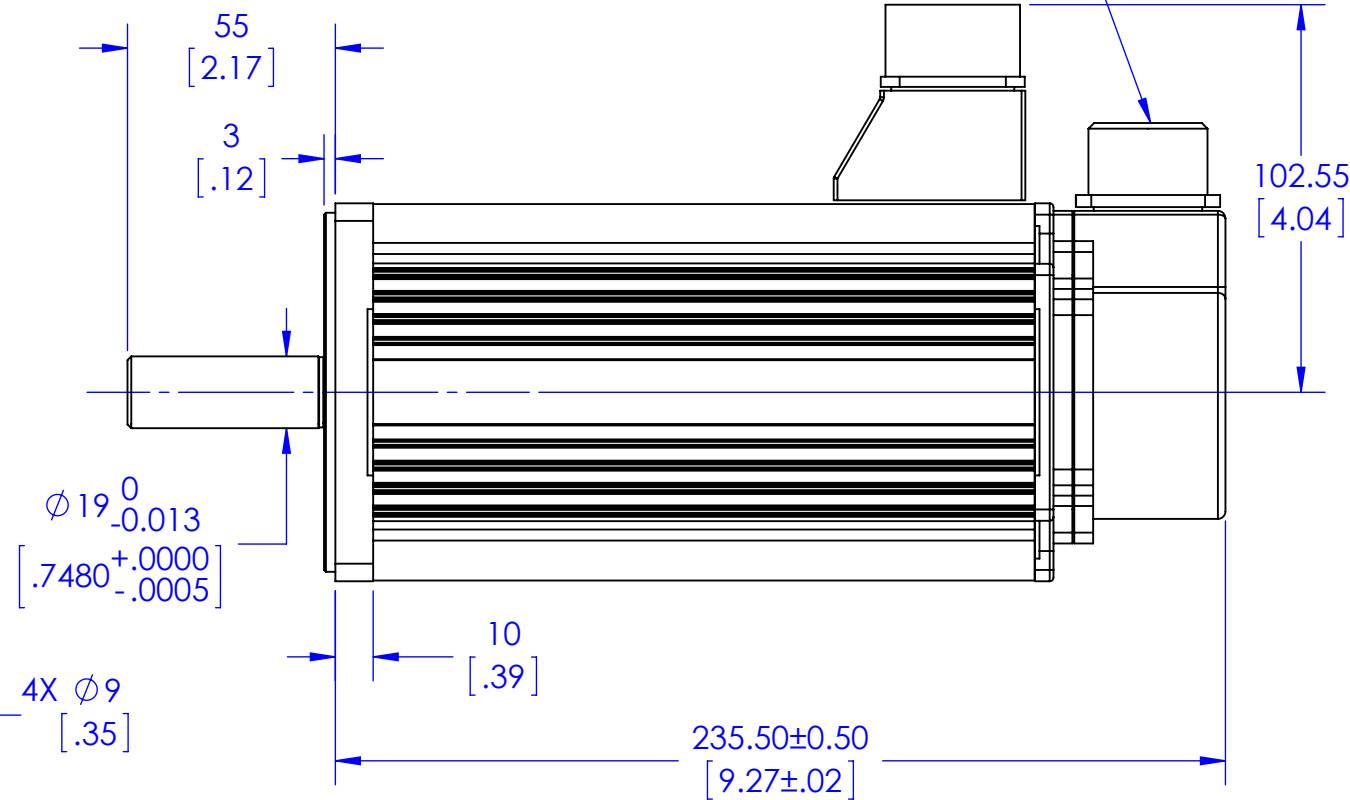
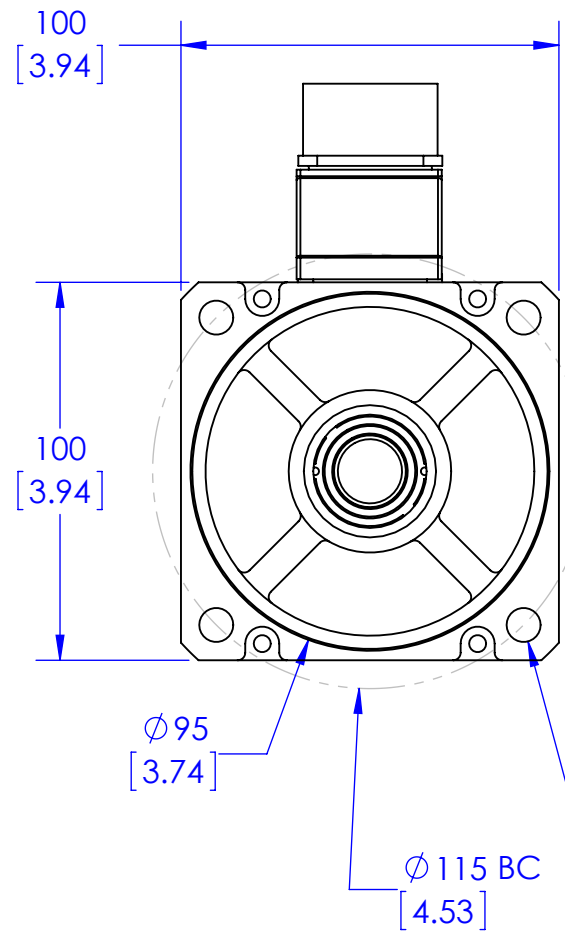
MATING CONNECTOR
CAP: MS3106A 20-4P

POWER CONNECTOR NON-BRAKE RECEPTACLE: MS3102A 20-18P	
PIN	SIGNAL
A	U
B	V
C	W
D	FG

MATING CONNECTOR
CAP: MS3106A 20-18P

BRAKE INFORMATION		MOTOR FLANGE SIZE
ITEM	UNIT	100 mm
STATIC FRICTION TORQUE	N m	12
ROTOR INERTIA	kg cm ²	0.45
ARMATURE SUCTION TIME	ms	100
ARMATURE RELEASE TIME	ms	20
RELEASE VOLTAGE	DC, V	2 (AT 20°C)
EXCITATION VOLTAGE	DC, V	24 ± 2.4
EXCITATION CURRENT	DC, A	0.83

REFER TO FEEDBACK DEVICE DRAWING
FOR MATING CONNECTOR AND PIN
OUT INFORMATION



23011 MOULTON PARKWAY, SUITE J3
LAGUNA HILLS, CA 92653

TITLE: QS100-B25-xB2
QS100-B25-xN2

SIZE B DWG. NO. 100-2500-01 REV A

SCALE: NONE SHEET 1 OF 1